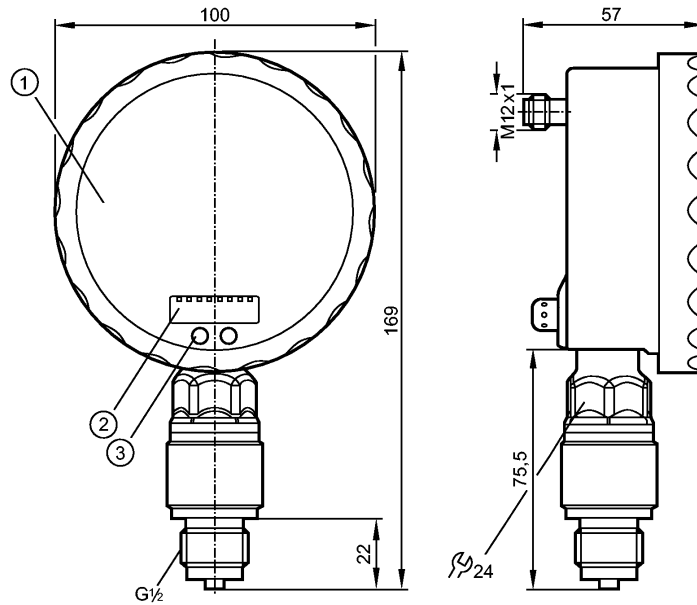


**PG2454**

PG-010-REB12-MFRKG/US/ /P

Pressure sensors



- 1: Analogue display
- 2: 4-digit alphanumeric display
- 3: Touch pad (programming button)



**Product characteristics**

Electronic pressure sensor with analog display

Quick disconnect

Analog display 0...350° rotatable

Resolution 0.25%

Pointer not visible when unit disconnected

Process connection: G 1/2

2 Output

OUT1 = Switching output

OUT2 = Analog output

analog display, 4-digit alphanumeric display

Measuring range: -1...10 bar / -14.4...145 psi

**Application**

Application	Type of pressure: relative pressure Liquids and gases	
Pressure rating	50 bar	725 psi
Bursting pressure min.	150 bar	2175 psi
MAWP (for applications according to CRN)	38 bar	551 psi
Medium temperature [°C]	-25...80	

**Electrical data**

Electrical design	DC PNP/NPN
Operating voltage [V]	18...32 DC
Current consumption [mA]	70 (24 V)
Insulation resistance [MΩ]	> 100 (500 V DC)
Protection class	III
Reverse polarity protection	yes

**PG2454**

PG-010-REB12-MFRKG/US/ /P

**Pressure sensors**

Outputs		
Output	2 Output OUT1 = Switching output OUT2 = Analog output	
Output function	1 x normally open / closed programmable + 1 x analogue (4...20 / 20...4 mA, scalable)	
Current rating [mA]	250	
Voltage drop [V]	< 2	
Short-circuit protection	yes (non-latching)	
Overload protection	yes	
Switching frequency [Hz]	75	
Analog output	I: 4...20 mA (Ineg: 20...4 mA)	
Max. load [Ω]	I / Ineg: max. (Ub - 10 V) x 50	
Measuring / setting range		
Measuring range	-1...10 bar	-14.4...145 psi
Setting range		
Set point, SP	-0.96...16.00 bar	-14.0...232.0 psi
Reset point, rP	-1.00...15.96 bar	-14.4...231.6 psi
Analog start point, ASP	-1.00...13.50 bar	-14.4...195.8 psi
Analog end point, AEP	1.50...16.00 bar	21.8...232.0 psi
in steps of	0.02 bar	0.2 psi
Accuracy / deviations		
Accuracy / deviations (in % of the span) Turn down 1:1		
Switch point accuracy	< ± 0.5	
Characteristics deviation *)	< ± 0.25 (BFSL) / < ± 0.5 (LS)	
Hysteresis	< ± 0.25	
Repeatability **)	< ± 0.1	
Long-term stability ***)	< ± 0.1	
Temperature coefficients (TEMPCO) in the temperature range 0...70° C (in % of the span per 10 K)		
Greatest TEMPCO of the zero point	< ± 0.2	
Greatest TEMPCO of the span	< ± 0.2	
Reaction times		
Power-on delay time [s]	6	
Min. response time switching output [ms]	9	
Damping for the switching output (dAP) [s]	0.01...30	
Damping for the analog output (dAA) [s]	0.01...30	
Step response time analogue output [ms]	28	
Integrated watchdog	yes	
Environment		
Ambient temperature [°C]	-20...80	
Storage temperature [°C]	-40...100	
Protection	IP 67 / IP 69K	
Tests / approvals		

**PG2454**

PG-010-REB12-MFRKG/US/ /P

**Pressure sensors**

Pressure equipment directive	article 3, section 3 - sound engineering practice	
EMC	DIN EN 61000-6-2 DIN EN 61000-6-3	
Shock resistance	DIN EN 60068-2-27	50 g (11 ms)
Vibration resistance	DIN EN 60068-2-6	20 g (10...2000 Hz)
MTTF [Years]	103	

**Mechanical data**

Process connection	G ½	
Materials (wetted parts)	ceramics (Al <sub>2</sub> O <sub>3</sub> ); FPM; stainless steel 316L / 1.4404	
Housing materials	stainless steel 316L / 1.4404; PA; FPM; PTFE; viewing glass: laminated safety glass 4 mm	
Switching cycles min.	100 million	
Weight [kg]	0.617	

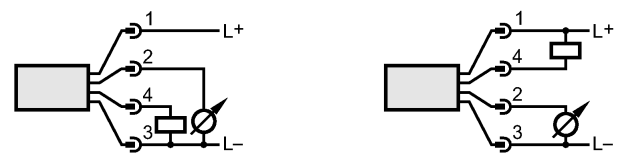
**Displays / operating elements**

Display	Display unit 2 x LED green Switching status LED yellow Switch points LED ring Function display 4-digit alphanumeric display Measured values analog display, 4-digit alphanumeric display	
Extended display range (max.)	16 bar	232 psi

**Electrical connection**

Connection	M12 connector; gold-plated contacts	
------------	-------------------------------------	--

**Wiring**



**Remarks**

Remarks	*) BFSL = Best Fit Straight Line switch point accuracy in the extended display range: 1.5 % of the span **) with temperature fluctuations < 10 K ***) in% of the span / 6 months	
---------	---	--

Pack quantity [piece]	1	
-----------------------	---	--