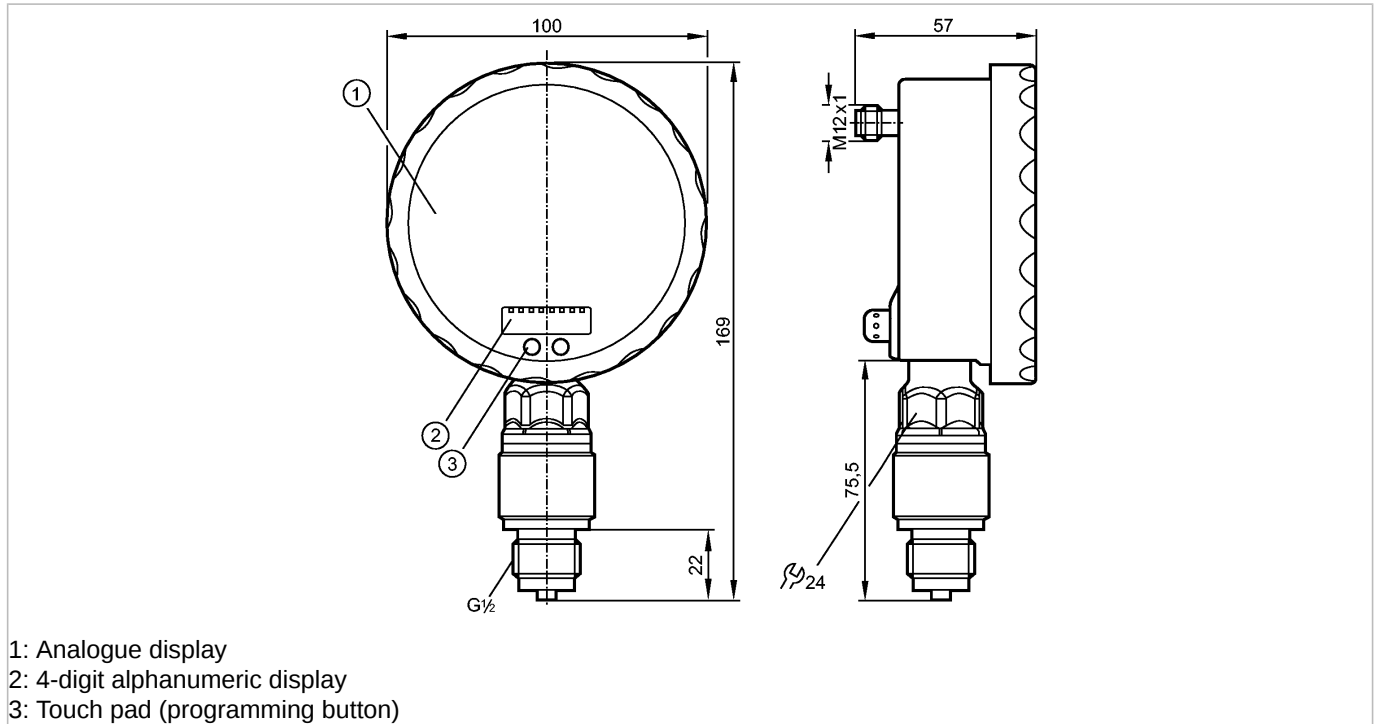


**PG2456**

PG-2.5-REB12-MFRKG/US/ /P

Pressure sensors



**Product characteristics**

Electronic pressure sensor with analog display

Quick disconnect

Analog display 0...350° rotatable

Resolution 0.25%

Pointer not visible when unit disconnected

Process connection: G 1/2

2 Output

OUT1 = Switching output

OUT2 = Analog output

analog display, 4-digit alphanumeric display

Measuring range: -0.125...2.5 bar / -1.8...36.25 psi

**Application**

Application	Type of pressure: relative pressure Liquids and gases	
Pressure rating	20 bar	290 psi
Bursting pressure min.	50 bar	725 psi
Medium temperature [°C]	-25...80	

**Electrical data**

Electrical design	DC PNP/NPN	
Operating voltage [V]	18...32 DC	
Current consumption [mA]	70 (24 V)	
Insulation resistance [MΩ]	> 100 (500 V DC)	
Protection class	III	
Reverse polarity protection	yes	

**Outputs**

**PG2456**

PG-2.5-REB12-MFRKG/US/ /P

**Pressure sensors**

Output	2 Output OUT1 = Switching output OUT2 = Analog output	
Output function	1 x normally open / closed programmable + 1 x analogue (4...20 / 20...4 mA, scalable)	
Current rating [mA]	250	
Voltage drop [V]	< 2	
Short-circuit protection	yes (non-latching)	
Overload protection	yes	
Switching frequency [Hz]	75	
Analog output	I: 4...20 mA (Ineg: 20...4 mA)	
Max. load [Ω]	I / Ineg: max. (U <sub>b</sub> - 10 V) x 50	

**Measuring / setting range**

Measuring range	-0.125...2.5 bar	-1.8...36.25 psi
Setting range		
Set point, SP	-0.115...4.000 bar	-1.65...58.00 psi
Reset point, rP	-0.125...3.990 bar	-1.80...57.85 psi
Analog start point, ASP	-0.125...3.350 bar	-1.80...48.60 psi
Analog end point, AEP	0.525...4.000 bar	7.60...58.00 psi
in steps of	0.005 bar	0.05 psi

**Accuracy / deviations**

Accuracy / deviations (in % of the span) Turn down 1:1		
Switch point accuracy	< ± 0.5	
Characteristics deviation *)	< ± 0.25 (BFSL) / < ± 0.5 (LS)	
Hysteresis	< ± 0.25	
Repeatability **)	< ± 0.1	
Long-term stability ***)	< ± 0.1	
Temperature coefficients (TEMPCO) in the temperature range 0...70° C (in % of the span per 10 K)		
Greatest TEMPCO of the zero point	< ± 0.2	
Greatest TEMPCO of the span	< ± 0.2	

**Reaction times**

Power-on delay time [s]	6	
Min. response time switching output [ms]	9	
Damping for the switching output (dAP) [s]	0.01...30	
Damping for the analog output (dAA) [s]	0.01...30	
Step response time analogue output [ms]	28	
Integrated watchdog	yes	

**Environment**

Ambient temperature [°C]	-20...80	
Storage temperature [°C]	-40...100	
Protection	IP 67 / IP 69K	

**Tests / approvals**

EMC	EN 61000-4-2 ESD:	4 kV CD / 8 kV AD
	EN 61000-4-3 HF radiated:	10 V/m

**PG2456**

PG-2.5-REB12-MFRKG/US/ /P

**Pressure sensors**

	EN 61000-4-4 Burst:	2 kV
	EN 61000-4-5 Surge:	0.5/1 kV
	EN 61000-4-6 HF conducted:	10 V
Shock resistance	DIN IEC 68-2-27:	50 g (11 ms)
Vibration resistance	DIN IEC 68-2-6:	20 g (10...2000 Hz)
MTTF [Years]		103

**Mechanical data**

Process connection	G ½	
Materials (wetted parts)	ceramics (Al <sub>2</sub> O <sub>3</sub> ); FPM; stainless steel 316L / 1.4404	
Housing materials	stainless steel 316L / 1.4404; PA; FPM (Viton); PTFE; viewing glass: laminated safety glass 4 mm	
Switching cycles min.	100 million	
Weight [kg]	0.61	

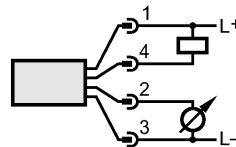
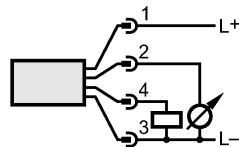
**Displays / operating elements**

Display	Display unit	2 x LED green
	Switching status	LED yellow
	Switch points	LED ring
	Function display	4-digit alphanumeric display
	Measured values	analog display, 4-digit alphanumeric display
Extended display range (max.)	4 bar	58 psi

**Electrical connection**

Connection	M12 connector; gold-plated contacts	
------------	-------------------------------------	--

**Wiring**



**Remarks**

Remarks	<p>*) BFSL = Best Fit Straight Line                  switch point accuracy in the extended display range: 1.5 % of the span                  **) with temperature fluctuations &lt; 10 K                  ***) in% of the span / 6 months</p>
---------	-----------------------------------------------------------------------------------------------------------------------------------------------------------------------------------------------------------------------------------------------------------

Pack quantity [piece]	1
-----------------------	---