

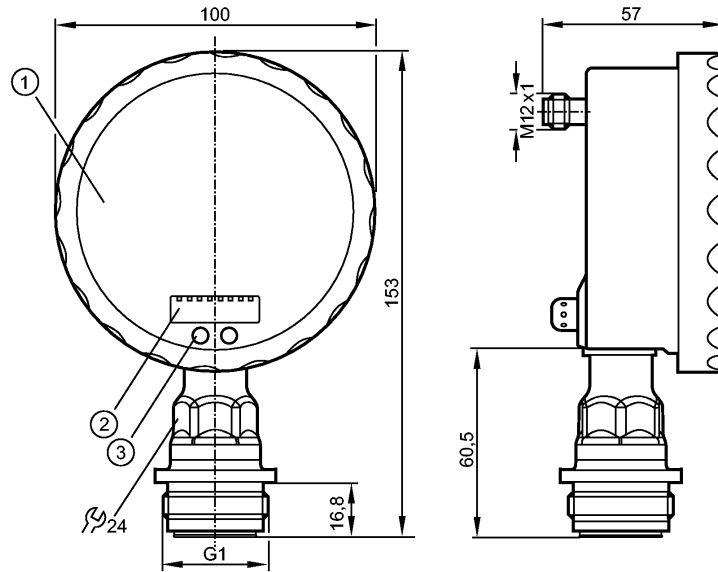


PG2796

PG-2.5-REA01-MFRKG/US/ /P



Pressure sensors



- 1: Analogue display
- 2: 4-digit alphanumeric display
- 3: Touch pad (programming button)



ACS



EC 1935/2004 EHEDG Certified

FDA Reg31

Product characteristics

Electronic pressure sensor with analog display

Quick disconnect

Suitable for all standard CIP and SIP processes

Analog display 0...350° rotatable

Resolution 0.25%

Pointer not visible when unit disconnected

no dead space

Process connection: G 1 A / Aseptoflex Vario

2 Output

OUT1 = Switching output

OUT2 = Analog output

analog display, 4-digit alphanumeric display

Measuring range: -0.124...2.5 bar / -1.8...36.27 psi

Application

Application

Type of pressure: relative pressure
Hygienic systems, viscous media and liquids with suspended particles
Liquids and gases

Pressure rating

20 bar

290 psi

Bursting pressure min.

50 bar

725 psi

Medium temperature [°C]

-25...125 (145 max. 1h)

Electrical data

Electrical design

DC PNP/NPN

Operating voltage [V]

18...32 DC

Current consumption [mA]

< 70 (24 V)



PG2796

PG-2.5-REA01-MFRKG/US/ /P



Pressure sensors

Insulation resistance	[MΩ]	> 100 (500 V DC)
Protection class		III
Reverse polarity protection		yes

Outputs

Output		2 Output OUT1 = Switching output OUT2 = Analog output
Output function		1 x normally open / closed programmable + 1 x analogue (4...20 / 20...4 mA, scalable)
Current rating	[mA]	250
Voltage drop	[V]	< 2
Short-circuit protection		yes (non-latching)
Overload protection		yes
Switching frequency	[Hz]	50
Analog output		I: 4...20 mA (Ineg: 20...4 mA)
Max. load	[Ω]	I / Ineg: max. (U _b - 10 V) x 50

Measuring / setting range

Measuring range		-0.124...2.5 bar	-1.8...36.27 psi
Setting range			
Set point, SP		-0.120...4.000 bar	-1.74...58.02 psi
Reset point, rP		-0.124...3.996 bar	-1.80...57.96 psi
Analog start point, ASP		-0.124...3.370 bar	-1.80...48.87 psi
Analog end point, AEP		0.500...4.000 bar	7.26...58.02 psi
in steps of		0.002 bar	0.03 psi

Accuracy / deviations

Accuracy / deviations (in % of the span) Turn down 1:1		
Switch point accuracy		< ± 0.2
Characteristics deviation *)		< ± 0.2
Linearity		< ± 0.15
Hysteresis		< ± 0.15
Repeatability **)		< ± 0.1
Long-term stability ***)		< ± 0.1
Temperature coefficients (TEMPCO) in the temperature range 0...70° C (in % of the span per 10 K)		
Greatest TEMPCO of the zero point		< ± 0.05
Greatest TEMPCO of the span		< ± 0.15

Reaction times

Power-on delay time	[s]	6
Min. response time switching output	[ms]	10
Damping for the switching output (dAP)	[s]	0.01...30
Damping for the analog output (dAA)	[s]	0.01...30
Step response time analogue output	[ms]	25
Integrated watchdog		yes

Environment



PG2796

PG-2.5-REA01-MFRKG/US/ /P



Pressure sensors

Ambient temperature	[°C]	-25...80
Storage temperature	[°C]	-40...100
Protection		IP 67 / IP 69K

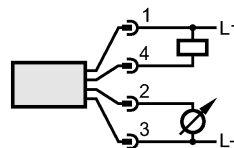
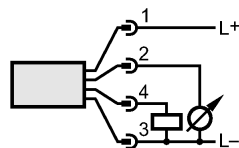
Tests / approvals		
EMC	EN 61000-4-2 ESD:	4 kV CD / 8 kV AD
	EN 61000-4-3 HF radiated:	10 V/m
	EN 61000-4-4 Burst:	2 kV
	EN 61000-4-5 Surge:	0.5/1 kV
	EN 61000-4-6 HF conducted:	10 V
Shock resistance	DIN IEC 68-2-27:	50 g (11 ms)
Vibration resistance	DIN IEC 68-2-6:	20 g (10...2000 Hz)
MTTF	[Years]	100

Mechanical data	
Process connection	G 1 A / Aseptoflex Vario
Materials (wetted parts)	ceramics (99.9 % Al ₂ O ₃); PTFE; stainless steel 316L / 1.4435; surface characteristics: Ra < 0.4 / Rz 4
Housing materials	stainless steel 316L / 1.4404; PA; FPM (Viton); PTFE; viewing glass: laminated safety glass 4 mm
Switching cycles min.	100 million
Weight	[kg] 0.558

Displays / operating elements	
Display	Display unit 2 x LED green Switching status LED yellow Switch points LED ring Function display 4-digit alphanumeric display Measured values analog display, 4-digit alphanumeric display
Extended display range (max.)	4 bar 58.02 psi

Electrical connection	
Connection	M12 connector; gold-plated contacts

Wiring



Remarks

Remarks	<p>*) linearity, incl. hysteresis and repeatability; (limit value setting to DIN 16086) characteristics deviation in the extended display range: 1.5 % of the span switch point accuracy in the extended display range: 1.5 % of the span **) with temperature fluctuations < 10 K ***) in % of the span per year</p>
---------	--

Pack quantity	[piece]	1
---------------	---------	---