

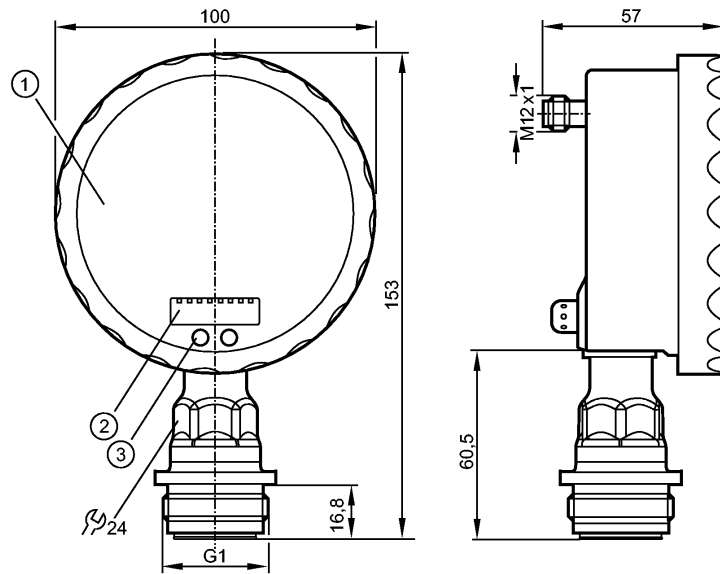


PG2798

PG-,25BREA01-MFRKG/US/ /P



Pressure sensors



- 1: Analogue display
- 2: 4-digit alphanumeric display
- 3: Touch pad (programming button)

EC 1935/2004 EHEDG Certified



Product characteristics

Electronic pressure sensor with analog display
Quick disconnect
Suitable for all standard CIP and SIP processes
Analog display 0...350° rotatable
Resolution 0.25%
Pointer not visible when unit disconnected
no dead space
Process connection: G 1 A / Aseptoflex Vario
2 Output OUT1 = Switching output OUT2 = Analog output
analog display, 4-digit alphanumeric display
Measuring range: -12.4...250.0 mbar / -5.0...100.4 inH2O

Application

Application	Type of pressure: relative pressure Hygienic systems, viscous media and liquids with suspended particles Liquids and gases	
Pressure rating	10000 mbar	4014 inH2O
Bursting pressure min.	30000 mbar	12043 inH2O
Medium temperature [°C]	-25...125 (145 max. 1h)	

Electrical data

Electrical design	DC PNP/NPN
Operating voltage [V]	18...32 DC
Current consumption [mA]	< 70 (24 V)



PG2798

PG-,25BREA01-MFRKG/US/ /P



Pressure sensors

Insulation resistance	[MΩ]	> 100 (500 V DC)
Protection class		III
Reverse polarity protection		yes

Outputs		
Output		2 Output OUT1 = Switching output OUT2 = Analog output
Output function		1 x normally open / closed programmable + 1 x analogue (4...20 / 20...4 mA, scalable)
Current rating	[mA]	250
Voltage drop	[V]	< 2
Short-circuit protection		yes (non-latching)
Overload protection		yes
Switching frequency	[Hz]	50
Analog output		I: 4...20 mA (Ineg: 20...4 mA)
Max. load	[Ω]	I / Ineg: max. (U _b - 10 V) x 50

Measuring / setting range		
Measuring range		-12.4...250.0 mbar -5.0...100.4 inH2O
Setting range		
Set point, SP		-12.0...400.0 mbar -4.8...160.6 inH2O
Reset point, rP		-12.4...399.6 mbar -5.0...160.4 inH2O
Analog start point, ASP		-12.4...337.6 mbar -5.0...135.5 inH2O
Analog end point, AEP		50.0...400.0 mbar 20.1...160.6 inH2O
in steps of		0.2 mbar 0.1 inH2O

Accuracy / deviations		
Accuracy / deviations (in % of the span) Turn down 1:1		
Switch point accuracy		< ± 0.2
Characteristics deviation *)		< ± 0.2
Linearity		< ± 0.15
Hysteresis		< ± 0.15
Repeatability **)		< ± 0.1
Long-term stability ***)		< ± 0.1
Temperature coefficients (TEMPCO) in the temperature range 0...70° C (in % of the span per 10 K)		
Greatest TEMPCO of the zero point		< ± 0.05
Greatest TEMPCO of the span		< ± 0.15

Reaction times		
Power-on delay time	[s]	6
Min. response time switching output	[ms]	10
Damping for the switching output (dAP)	[s]	0.01...30
Damping for the analog output (dAA)	[s]	0.01...30
Step response time analogue output	[ms]	25
Integrated watchdog		yes

Environment

