

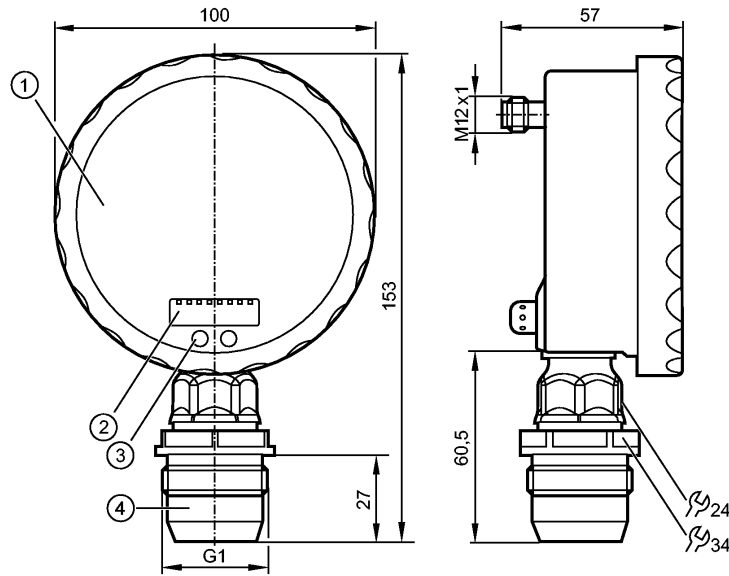


PG2895

PG-004-REA01-MFRKG/US/ /P



Pressure sensors



- 1: Analogue display
- 2: 4-digit alphanumeric display
- 3: Touch pad (programming button)
- 4: Sealing cone G 1 male

Attention: The unit must only be installed in a process connection for G1 sealing cone! The G1A sealing cone of the unit is only suited for adapters with metal end stop!

ACS CE cUL_{US} LISTED EC 1935/2004 EHEDG Certified FDA

Product characteristics

Electronic pressure sensor
with analog display

Quick disconnect

Suitable for all standard CIP and SIP processes

Analog display 0...350° rotatable

Resolution 0.25%

Pointer not visible when unit disconnected

Sealing cone G 1 male

Process connection: Sealing cone G 1 male

2 Output

OUT1 = Switching output

OUT2 = Analog output

analog display, 4-digit alphanumeric display

Measuring range: -1.000...4.000 bar / -14.50...58.00 psi

Application

Application	Type of pressure: relative pressure Hygienic systems, viscous media and liquids with suspended particles Liquids and gases	
Pressure rating	30 bar	435 psi
Bursting pressure min.	100 bar	1450 psi
Medium temperature [°C]	-25...125 (145 max. 1h)	

Electrical data

Electrical design	DC PNP/NPN
Operating voltage [V]	18...32 DC
Current consumption [mA]	< 70 (24 V)



PG2895

PG-004-REA01-MFRKG/US/ /P



Pressure sensors

Insulation resistance	[MΩ]	> 100 (500 V DC)
Protection class		III
Reverse polarity protection		yes

Outputs		
Output		2 Output OUT1 = Switching output OUT2 = Analog output
Output function		1 x normally open / closed programmable + 1 x analogue (4...20 / 20...4 mA, scalable)
Current rating	[mA]	250
Voltage drop	[V]	< 2
Short-circuit protection		yes (non-latching)
Overload protection		yes
Switching frequency	[Hz]	50
Analog output		I: 4...20 mA (Ineg: 20...4 mA)
Max. load	[Ω]	I / Ineg: max. (U _b - 10 V) x 50

Measuring / setting range		
Measuring range	-1.000...4.000 bar	-14.50...58.00 psi
Setting range		
Set point, SP	-0.990...6.400 bar	-14.35...92.80 psi
Reset point, rP	-1.000...6.390 bar	-14.50...92.65 psi
Analog start point, ASP	-1.000...5.400 bar	-14.50...78.30 psi
Analog end point, AEP	0.000...6.400 bar	0.00...92.80 psi
in steps of	0.005 bar	0.05 psi

Accuracy / deviations		
Accuracy / deviations (in % of the span) Turn down 1:1		
Switch point accuracy		< ± 0.2
Characteristics deviation *)		< ± 0.2
Linearity		< ± 0.15
Hysteresis		< ± 0.15
Repeatability **)		< ± 0.1
Long-term stability ***)		< ± 0.1
Temperature coefficients (TEMPCO) in the temperature range 0...70° C (in % of the span per 10 K)		
Greatest TEMPCO of the zero point		< ± 0.05
Greatest TEMPCO of the span		< ± 0.15

Reaction times		
Power-on delay time	[s]	6
Min. response time switching output	[ms]	10
Damping for the switching output (dAP)	[s]	0.01...30
Damping for the analog output (dAA)	[s]	0.01...30
Step response time analogue output	[ms]	25
Integrated watchdog		yes

Environment



PG2895

PG-004-REA01-MFRKG/US/ /P



Pressure sensors

Ambient temperature	[°C]	-25...80
Storage temperature	[°C]	-40...100
Protection		IP 67 / IP 69K

Tests / approvals

EMC	EN 61000-4-2 ESD:	4 kV CD / 8 kV AD
	EN 61000-4-3 HF radiated:	10 V/m
	EN 61000-4-4 Burst:	2 kV
	EN 61000-4-5 Surge:	0.5/1 kV
	EN 61000-4-6 HF conducted:	10 V
Shock resistance	DIN IEC 68-2-27:	50 g (11 ms)
Vibration resistance	DIN IEC 68-2-6:	20 g (10...2000 Hz)
MTTF	[Years]	100

Mechanical data

Process connection	Sealing cone G 1 male	
Materials (wetted parts)	ceramics (99.9 % Al ₂ O ₃); PTFE; stainless steel 316L / 1.4435; surface characteristics: Ra < 0.4 / Rz 4	
Housing materials	stainless steel 316L / 1.4404; PA; FPM (Viton); PTFE; viewing glass: laminated safety glass 4 mm	
Switching cycles min.	100 million	
Weight	[kg]	0.565

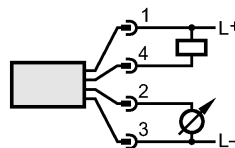
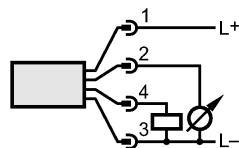
Displays / operating elements

Display	Display unit	2 x LED green
	Switching status	LED yellow
	Switch points	LED ring
	Function display	4-digit alphanumeric display
	Measured values	analog display, 4-digit alphanumeric display
Extended display range (max.)	6.4 bar	92.8 psi

Electrical connection

Connection	M12 connector; gold-plated contacts
------------	-------------------------------------

Wiring



Remarks

Remarks	<p>Attention: The unit must only be installed in a process connection for G1 sealing cone! The G1A sealing cone of the unit is only suited for adapters with metal end stop!</p> <p>*) linearity, incl. hysteresis and repeatability; (limit value setting to DIN 16086)</p> <p>characteristics deviation in the extended display range: 1.5 % of the span</p> <p>switch point accuracy in the extended display range: 1.5 % of the span</p> <p>**) with temperature fluctuations < 10 K</p> <p>***) in % of the span per year</p>
---------	---

Pack quantity	[piece]	1
---------------	---------	---