

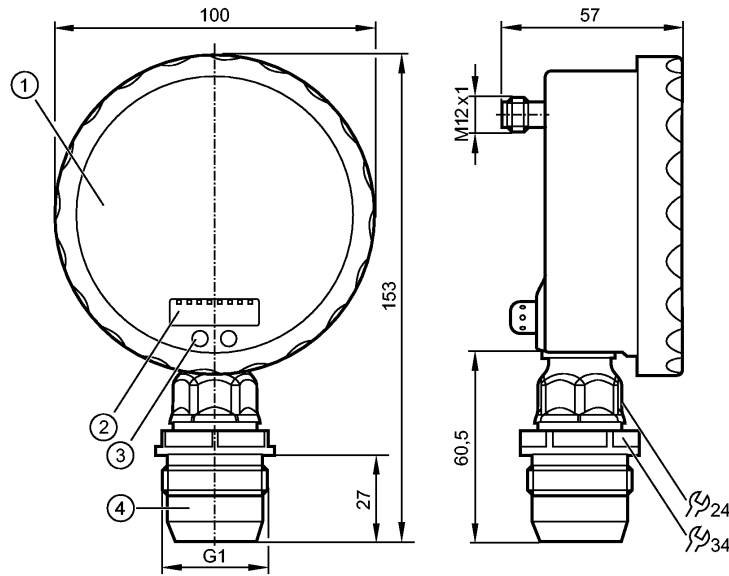


PG2899

PG-1-1BREA01-MFRKG/US/ /P



Pressure sensors



- 1: Analogue display
- 2: 4-digit alphanumeric display
- 3: Touch pad (programming button)
- 4: Sealing cone G 1 male

Attention: The unit must only be installed in a process connection for G1 sealing cone! The G1A sealing cone of the unit is only suited for adapters with metal end stop!

ACS CE cUL_{US} LISTED EC 1935/2004 EHEDG Certified FDA

Product characteristics

Electronic pressure sensor
with analog display

Quick disconnect

Suitable for all standard CIP and SIP processes

Analog display 0...350° rotatable

Resolution 0.25%

Pointer not visible when unit disconnected

Sealing cone G 1 male

Process connection: Sealing cone G 1 male

2 Output

OUT1 = Switching output

OUT2 = Analog output

analog display, 4-digit alphanumeric display

Measuring range: -1...1 bar / -14.5...14.5 psi

Application

Application	Type of pressure: relative pressure Hygienic systems, viscous media and liquids with suspended particles Liquids and gases	
Pressure rating	10 bar	145 psi
Bursting pressure min.	30 bar	435 psi
Medium temperature [°C]	-25...125 (145 max. 1h)	

Electrical data

Electrical design	DC PNP/NPN
Operating voltage [V]	18...32 DC
Current consumption [mA]	< 70 (24 V)



PG2899

PG-1-1BREA01-MFRKG/US/ /P



Pressure sensors

Insulation resistance	[MΩ]	> 100 (500 V DC)
Protection class		III
Reverse polarity protection		yes

Outputs		
Output		2 Output OUT1 = Switching output OUT2 = Analog output
Output function		1 x normally open / closed programmable + 1 x analogue (4...20 / 20...4 mA, scalable)
Current rating	[mA]	250
Voltage drop	[V]	< 2
Short-circuit protection		yes (non-latching)
Overload protection		yes
Switching frequency	[Hz]	50
Analog output		I: 4...20 mA (Ineg: 20...4 mA)
Max. load	[Ω]	I / Ineg: max. (U _b - 10 V) x 50

Measuring / setting range		
Measuring range		-1...1 bar -14.5...14.5 psi
Setting range		
Set point, SP		-0.998...1.600 bar -14.48...23.20 psi
Reset point, rP		-1.000...1.598 bar -14.50...23.18 psi
Analog start point, ASP		-1.000...1.100 bar -14.50...15.96 psi
Analog end point, AEP		-0.500...1.600 bar -7.26...23.20 psi
in steps of		0.001 bar 0.02 psi

Accuracy / deviations		
Accuracy / deviations (in % of the span) Turn down 1:1		
Switch point accuracy		< ± 0.2
Characteristics deviation *)		< ± 0.2
Linearity		< ± 0.15
Hysteresis		< ± 0.15
Repeatability **)		< ± 0.1
Long-term stability ***)		< ± 0.1
Temperature coefficients (TEMPCO) in the temperature range 0...70° C (in % of the span per 10 K)		
Greatest TEMPCO of the zero point		< ± 0.05
Greatest TEMPCO of the span		< ± 0.15

Reaction times		
Power-on delay time	[s]	6
Min. response time switching output	[ms]	10
Damping for the switching output (dAP)	[s]	0.01...30
Damping for the analog output (dAA)	[s]	0.01...30
Step response time analogue output	[ms]	25
Integrated watchdog		yes

Environment



PG2899

PG-1-1BREA01-MFRKG/US/ /P



Pressure sensors

Ambient temperature	[°C]	-25...80
Storage temperature	[°C]	-40...100
Protection		IP 67 / IP 69K

Tests / approvals

EMC		EN 61000-4-2 ESD: 4 kV CD / 8 kV AD EN 61000-4-3 HF radiated: 10 V/m EN 61000-4-4 Burst: 2 kV EN 61000-4-5 Surge: 0.5/1 kV EN 61000-4-6 HF conducted: 10 V
Shock resistance		DIN IEC 68-2-27: 50 g (11 ms)
Vibration resistance		DIN IEC 68-2-6: 20 g (10...2000 Hz)
MTTF	[Years]	100

Mechanical data

Process connection		Sealing cone G 1 male
Materials (wetted parts)		ceramics (99.9 % Al ₂ O ₃); PTFE; stainless steel 316L / 1.4435; surface characteristics: Ra < 0.4 / Rz 4
Housing materials		stainless steel 316L / 1.4404; PA; FPM (Viton); PTFE; viewing glass: laminated safety glass 4 mm
Switching cycles min.		100 million
Weight	[kg]	0.564

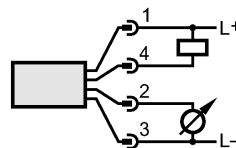
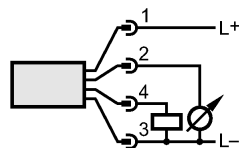
Displays / operating elements

Display		Display unit 2 x LED green Switching status LED yellow Switch points LED ring Function display 4-digit alphanumeric display Measured values analog display, 4-digit alphanumeric display
Extended display range (max.)		1.6 bar 23.2 psi

Electrical connection

Connection		M12 connector; gold-plated contacts
------------	--	-------------------------------------

Wiring



Remarks

Remarks		Attention: The unit must only be installed in a process connection for G1 sealing cone! The G1A sealing cone of the unit is only suited for adapters with metal end stop! *) linearity, incl. hysteresis and repeatability; (limit value setting to DIN 16086) characteristics deviation in the extended display range:1.5 % of the span switch point accuracy in the extended display range: 1.5 % of the span **) with temperature fluctuations < 10 K ***) in % of the span per year
---------	--	--

Pack quantity	[piece]	1
---------------	---------	---