

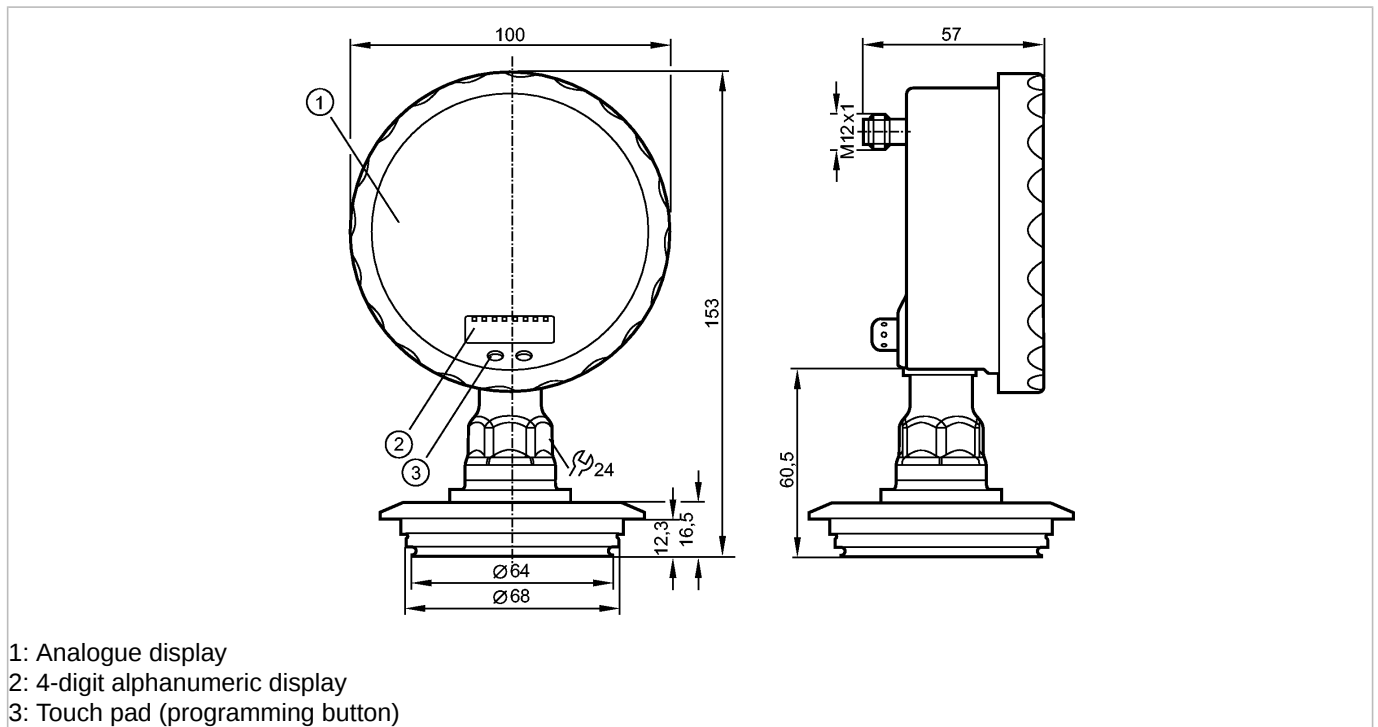


PH4004

PH-010-REA01-MFRKG/US/ /P



Pressure sensors



- 1: Analogue display
- 2: 4-digit alphanumeric display
- 3: Touch pad (programming button)



Product characteristics

Electronic pressure sensor with analog display

Quick disconnect

DN40 (1.5"), D = 68

Suitable for all standard CIP and SIP processes

Analog display 0...350° rotatable

Resolution 0.25%

Pointer not visible when unit disconnected

Process connection: Varivent type N

2 Output

OUT1 = Switching output

OUT2 = Analog output

analog display, 4-digit alphanumeric display

Measuring range: -1.00...10.00 bar / -14.5...145.0 psi

Application

Application

Type of pressure: relative pressure
Hygienic systems, viscous media and liquids with suspended particles
Liquids and gases

Pressure rating

50 bar

725 psi

Bursting pressure min.

150 bar

2175 psi

Medium temperature

[°C]

-25...125 (145 max. 1h)

Electrical data

Electrical design

DC PNP/NPN

Operating voltage

[V]

18...32 DC

Current consumption

[mA]

> 70 (24 V)

Insulation resistance

[MΩ]

> 100 (500 V DC)

Protection class

III



PH4004

PH-010-REA01-MFRKG/US/ /P



Pressure sensors

Reverse polarity protection	yes
-----------------------------	-----

Outputs

Output	2 Output OUT1 = Switching output OUT2 = Analog output	
Output function	1 x normally open / closed programmable + 1 x analogue (4...20 / 20...4 mA, scalable)	
Current rating [mA]	250	
Voltage drop [V]	< 2	
Short-circuit protection	yes (non-latching)	
Overload protection	yes	
Switching frequency [Hz]	50	
Analog output	I: 4...20 mA (Ineg: 20...4 mA)	
Max. load [Ω]	I / Ineg: max. (U _b - 10 V) x 50	

Measuring / setting range

Measuring range	-1.00...10.00 bar	-14.5...145.0 psi
Setting range		
Set point, SP	-0.98...16.00 bar	-14.2...232.0 psi
Reset point, rP	-1.00...15.98 bar	-14.5...231.8 psi
Analog start point, ASP	-1.00...13.50 bar	-14.5...195.7 psi
Analog end point, AEP	1.50...16.00 bar	21.8...232.0 psi
in steps of	0.01 bar	0.1 psi

Accuracy / deviations

Accuracy / deviations (in % of the span) Turn down 1:1	
Switch point accuracy	< ± 0.2
Characteristics deviation *)	< ± 0.2
Linearity	< ± 0.15
Hysteresis	< ± 0.15
Repeatability **)	< ± 0.1
Long-term stability ***)	< ± 0.1
Temperature coefficients (TEMPCO) in the temperature range 0...70° C (in % of the span per 10 K)	
Greatest TEMPCO of the zero point	< ± 0.05
Greatest TEMPCO of the span	< ± 0.15

Reaction times

Power-on delay time [s]	6
Min. response time switching output [ms]	10
Damping for the switching output (dAP) [s]	0.01...30
Damping for the analog output (dAA) [s]	0.01...30
Step response time analogue output [ms]	25
Integrated watchdog	yes

Environment

Ambient temperature [°C]	-25...80
Storage temperature [°C]	-40...100

