

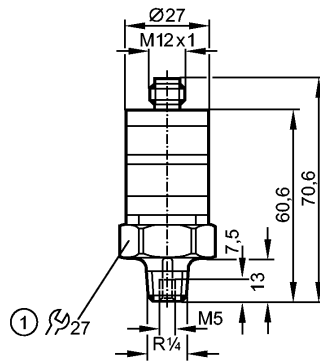


PK5722

PK-100-SFR14-PSPKG/US/ IW



Pressure sensors



1: tightening torque 25 Nm



Product characteristics

Electronic pressure monitor

Quick disconnect

Process connection: R¼ A / M5 I

1 switching output

Measuring range: 0...100 bar / 0...10 MPa

Application

Application

Type of pressure: relative pressure
Group 2 fluids according to the Pressure Equipment Directive (PED),
group 1 fluids on request

Pressure rating

200 bar

20 MPa

Bursting pressure min.

1000 bar

100 MPa

Medium temperature

[°C]

-25...80

Electrical data

Electrical design

DC PNP

Operating voltage

[V]

9.6...32 DC

Current consumption

[mA]

< 25

Insulation resistance

[MΩ]

> 100 (500 V DC)

Protection class

III

Reverse polarity protection

yes

Outputs

Output

1 switching output

Output function

normally open

Current rating

[mA]

500

Voltage drop

[V]

< 2

Short-circuit protection

yes (non-latching)

Overload protection

yes

Switching frequency

[Hz]

100

Measuring / setting range

Measuring range

0...100 bar

0...10 MPa

Setting range

Set point, SP

3...100 bar

0.3...10 MPa

Hysteresis

2 bar

0.2 MPa

Accuracy / deviations



PK5722

PK-100-SFR14-PSPKG/US/ IW



Pressure sensors

Deviations (% of value of measuring range)

Switch point accuracy	< ± 2.5 *
Characteristics deviation	< ± 1.5 (BFSL) / < ± 2.5 (LS) **
Repeatability	< ± 0.5
Temperature drift (/ 10 K)	< ± 0.5
in the temperature range [°C]	0...80

Software / programming

Adjustment of the switch point	setting ring
--------------------------------	--------------

Environment

Ambient temperature [°C]	-25...80
Storage temperature [°C]	-40...100
Protection	IP 67

Tests / approvals

Pressure equipment directive	97/23/EG: sound engineering practice
EMC	EN 61000-4-2 ESD: 4 kV CD / 8 kV AD EN 61000-4-3 HF radiated: 10 V/m EN 61000-4-4 Burst: 2 kV EN 61000-4-6 HF conducted: 10 V
Shock resistance	DIN IEC 68-2-27: 50 g (11 ms)
Vibration resistance	DIN IEC 68-2-6: 20 g (10...2000 Hz)
MTTF [Years]	704

Mechanical data

Process connection	R¼ A / M5 I
Materials (wetted parts)	stainless steel 316L / 1.4404; FPM (Viton)
Housing materials	PBT (Pocan); PC (Makrolon); FPM (Viton); stainless steel 316L / 1.4404
Switching cycles min.	50 million
Weight [kg]	0.091

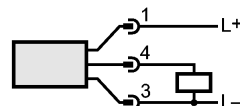
Displays / operating elements

Display	Power LED green Switching status LED yellow
---------	--

Electrical connection

Connection	M12 connector
------------	---------------

Wiring



Remarks

Remarks	*) Setting accuracy **) BFSL = Best Fit Straight Line / LS = Limit Value Setting
---------	---

Pack quantity [piece]	1
-----------------------	---