

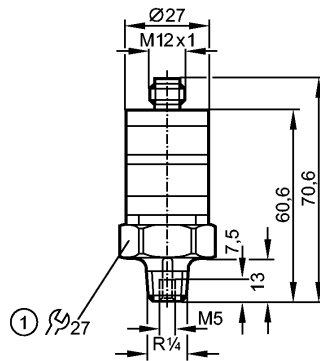


PK5723

PK-025-SFR14-PSPKG/US/ IW



Pressure sensors



1: tightening torque 25 Nm



Product characteristics

Electronic pressure monitor

Quick disconnect

Process connection: R¼ A / M5 I

1 switching output

Measuring range: 0...25 bar / 0...2.5 MPa

Application

Application

Type of pressure: relative pressure
Group 2 fluids according to the Pressure Equipment Directive (PED),
group 1 fluids on request

Pressure rating

60 bar

6 MPa

Bursting pressure min.

500 bar

50 MPa

Medium temperature

[°C]

-25...80

Electrical data

Electrical design

DC PNP

Operating voltage

[V]

9.6...32 DC ¹⁾

Current consumption

[mA]

< 25

Insulation resistance

[MΩ]

> 100 (500 V DC)

Protection class

III

Reverse polarity protection

yes

Outputs

Output

1 switching output

Output function

normally open

Current rating

[mA]

500

Voltage drop

[V]

< 2

Short-circuit protection

yes (non-latching)

Overload protection

yes

Switching frequency

[Hz]

100

Measuring / setting range

Measuring range

0...25 bar

0...2.5 MPa

Setting range

Set point, SP

0.75...25 bar

0.075...2.5 MPa

Hysteresis

0.5 bar

0.05 MPa

Accuracy / deviations



PK5723

PK-025-SFR14-PSPKG/US/ IW



Pressure sensors

Deviations (% of value of measuring range)

Switch point accuracy	< ± 2.5 *)
Characteristics deviation	< ± 1.5 (BFSL) / < ± 2.5 (LS) **)
Repeatability	< ± 0.5
Temperature drift (/ 10 K)	< ± 0.5
in the temperature range [°C]	0...80

Software / programming

Adjustment of the switch point	setting ring
--------------------------------	--------------

Environment

Ambient temperature [°C]	-25...80
Storage temperature [°C]	-40...100
Protection	IP 67

Tests / approvals

Pressure equipment directive	97/23/EG: sound engineering practice
EMC	DIN EN 61000-6-2 DIN EN 61000-6-3
Shock resistance	DIN EN 60068-2-27 50 g (11 ms)
Vibration resistance	DIN EN 60068-2-6 20 g (10...2000 Hz)
MTTF [Years]	704

Mechanical data

Process connection	R¼ A / M5 I
Materials (wetted parts)	stainless steel 316L / 1.4404
Housing materials	PBT; PC; FKM; stainless steel 316L / 1.4404
Min. pressure cycles	50 million
Tightening torque [Nm]	25 (recommended tightening torque ²)
Weight [kg]	0.095

Displays / operating elements

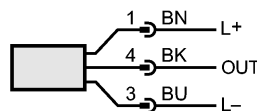
Display	Power LED green Switching status LED yellow
---------	---

Electrical connection

Connection	M12 connector
------------	---------------

Wiring

Core colors
 BK black
 BN brown
 BU blue



OUT: Switching output
 Colours to DIN EN 60947-5-2

Remarks

Remarks	1) to EN50178, SELV, PELV *) Setting accuracy **) BFSL = Best Fit Straight Line / LS = Limit Value Setting 2) Depends on lubrication, seal and pressure rating
---------	---

Pack quantity [piece]	1
-----------------------	---



PK5723

PK-025-SFR14-PSPKG/US/ /W



Pressure sensors