

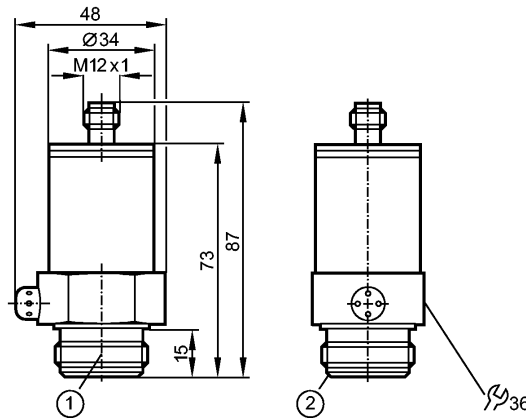


# PL2058

PL-,25BRES30-E-ZVG/US/ /P



Pressure sensors



- 1: Aseptoflex thread
- 2: Aseptoflex sealing edge



EC 1935/2004 EHEDG Certified



### Product characteristics

Electronic pressure sensor
Quick disconnect
no dead space
Zero and span adjustable
Programmable via EPS interface
Process connection: for Aseptoflex adapter
Analog output
Measuring range: -12.5...250 mbar

### Application

Application	Type of pressure: relative pressure Hygienic systems, viscous media and liquids with suspended particles Liquids and gases
Pressure rating [mbar]	10000
Bursting pressure min. [mbar]	30000
Medium temperature [°C]	-25...80

### Electrical data

Electrical design	3-wire DC; 2-wire DC
Operating voltage [V]	14...30 DC
Insulation resistance [MΩ]	> 100 (500 V DC)
Protection class	III
Reverse polarity protection	yes

### Outputs

Output	Analog output
Output function	4...20 mA analog
Overload protection	yes
Analog output	4...20 mA
Max. load [Ω]	max. (U <sub>b</sub> - 13 V) / 20 mA; 550 at U <sub>b</sub> = 24 V

### Measuring / setting range

Measuring range [mbar]	-12.5...250
Setting range	
Analog start point, ASP [mbar]	-12.5...100.0



# PL2058

PL-,25BRES30-E-ZVG/US/ /P



Pressure sensors

Analog end point, AEP [mbar]	50.0...250.0
in steps of [mbar]	0.5
Factory setting	ASP = 0.0 mbar; AEP = 250.0 mbar

### Accuracy / deviations

Accuracy / deviations (in % of the span) Turn down 1:1	
Characteristics deviation *)	< ± 0.6
Linearity	< ± 0.5
Hysteresis	< ± 0.1
Repeatability **)	< ± 0.1
Long-term stability ***)	< ± 0.1
Temperature coefficients (TEMPCO) in the temperature range 0...80° C (in % of the span per 10 K)	
Greatest TEMPCO of the zero point	< ± 0.1
Greatest TEMPCO of the span	< ± 0.4

### Reaction times

Response time analog output [ms]	3
----------------------------------	---

### Environment

Ambient temperature [°C]	-25...80
Storage temperature [°C]	-40...100
Protection	IP 67

### Tests / approvals

EMC	EN 61000-4-2 ESD: 4 kV CD / 8 kV AD EN 61000-4-3 HF radiated: 10 V/m EN 61000-4-4 Burst: 2 kV EN 61000-4-6 HF conducted: 10 V
Shock resistance	DIN IEC 68-2-27: 50 g (11 ms)
Vibration resistance	DIN IEC 68-2-6: 20 g (10...2000 Hz)
MTTF [Years]	271

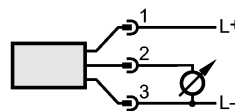
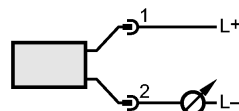
### Mechanical data

Process connection	for Aseptoflex adapter
Materials (wetted parts)	ceramics (99.9 % Al <sub>2</sub> O <sub>3</sub> ); PTFE; stainless steel 316L / 1.4435; surface characteristics: Ra < 0.4 / Rz 4
Housing materials	stainless steel 316L / 1.4404; PEI; FPM (Viton)
Min. pressure cycles	100 million
Weight [kg]	0.31

### Electrical connection

Connection	M12 connector; gold-plated contacts
------------	-------------------------------------

### Wiring



### Remarks

Remarks	*) linearity, incl. hysteresis and repeatability;
---------	---



# PL2058

PL-,25BRES30-E-ZVG/US/ /P



Pressure sensors

(limit value setting to DIN 16086)  
\*\*) with temperature fluctuations < 10 K  
\*\*\*) in % of the span per year  
The 3-A qualification is only valid if adapters with 3-A qualification are used for installation.

Pack quantity	[piece]	1
---------------	---------	---