

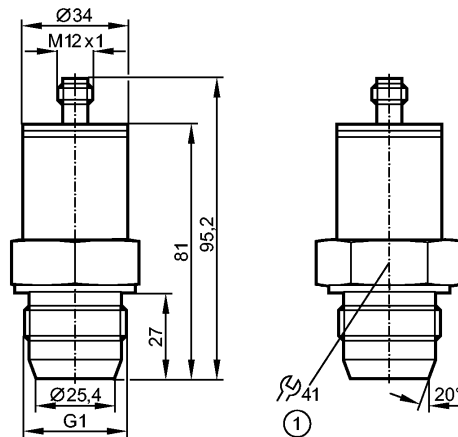


# PL2652

PL-100-SEA01-E-ZVG/US/ /P



Pressure sensors



1: tightening torque 20 Nm



US EC 1935/2004 EHEDG Certified



### Product characteristics

Electronic pressure sensor

Quick disconnect

no dead space

Zero and span adjustable

Programmable via EPS interface

Sealing cone G 1 male

Process connection: Sealing cone G 1 male

Analog output

Measuring range: -1...100 bar / -10...1450 psi / -0.1...10 MPa

### Application

Application	Type of pressure: relative pressure Hygienic systems, viscous media and liquids with suspended particles Liquids and gases Use in gases at pressures > 25 bar only after contacting the manufacturer ifm		
Pressure rating	200 bar	2900 psi	20 MPa
Bursting pressure min.	650 bar	9425 psi	65 MPa
Medium temperature [°C]	-25...80		

### Electrical data

Electrical design	3-wire DC; 2-wire DC		
Operating voltage [V]	14...30 DC		
Insulation resistance [MΩ]	> 100 (500 V DC)		
Protection class	III		
Reverse polarity protection	yes		

### Outputs

Output	Analog output		
Output function	4...20 mA analog		
Overload protection	yes		
Analog output	4...20 mA		
Max. load [Ω]	max. (U <sub>b</sub> - 13 V) / 20 mA; 550 at U <sub>b</sub> = 24 V		

### Measuring / setting range

Measuring range	-1...100 bar	-10...1450 psi	-0.1...10 MPa
-----------------	--------------	----------------	---------------



# PL2652

PL-100-SEA01-E-ZVG/US/ /P

Pressure sensors

### Setting range

Analog start point, ASP	-1.0...75.0 bar	-10...1090 psi	-0.10...7.50 MPa
Analog end point, AEP	24.0...100.0 bar	350...1450 psi	2.40...10.00 MPa
in steps of	0.1 bar	10 psi	0.01 MPa
Factory setting	ASP = 0.0 bar; AEP = 100.0 bar		

### Accuracy / deviations

Accuracy / deviations (in % of the span) Turn down 1:1	
Characteristics deviation *)	< ± 0.6
Linearity	< ± 0.5
Hysteresis	< ± 0.1
Repeatability **)	< ± 0.1
Long-term stability ***)	< ± 0.1
Temperature coefficients (TEMPCO) in the temperature range 0...80° C (in % of the span per 10 K)	
Greatest TEMPCO of the zero point	< ± 0.1
Greatest TEMPCO of the span	< ± 0.2

### Reaction times

Response time analog output [ms]	3
----------------------------------	---

### Environment

Ambient temperature [°C]	-25...80
Storage temperature [°C]	-40...100
Protection	IP 67

### Tests / approvals

EMC	EN 61000-4-2 ESD: 4 kV CD / 8 kV AD EN 61000-4-3 HF radiated: 10 V/m EN 61000-4-4 Burst: 2 kV EN 61000-4-6 HF conducted: 10 V
Shock resistance	DIN IEC 68-2-27: 50 g (11 ms)
Vibration resistance	DIN IEC 68-2-6: 20 g (10...2000 Hz)
MTTF [Years]	248

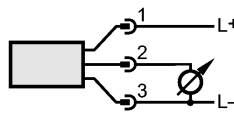
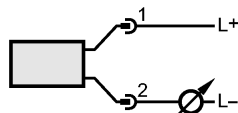
### Mechanical data

Process connection	Sealing cone G 1 male
Materials (wetted parts)	ceramics (99.9 % Al <sub>2</sub> O <sub>3</sub> ); PTFE; stainless steel 316L / 1.4435; surface characteristics: Ra < 0.4 / Rz 4
Housing materials	stainless steel 316L / 1.4404; PEI; FPM (Viton)
Min. pressure cycles	100 million
Weight [kg]	0.349

### Electrical connection

Connection	M12 connector; gold-plated contacts
------------	-------------------------------------

### Wiring





# PL2652

PL-100-SEA01-E-ZVG/US/ /P



Pressure sensors

## Remarks

Remarks	*) linearity, incl. hysteresis and repeatability; (limit value setting to DIN 16086) ) with temperature fluctuations < 10 K ) in % of the span per year The 3-A qualification is only valid if adapters with 3-A qualification are used for installation.
---------	---

Pack quantity	[piece]	1
---------------	---------	---