

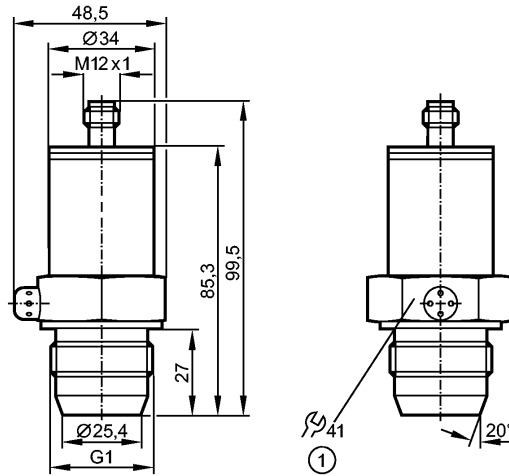


# PL2654

PL-010-REA01-E-ZVG/US/ /P



Pressure sensors



1: tightening torque 20 Nm



EC 1935/2004 EHEDG Certified



### Product characteristics

Electronic pressure sensor

Quick disconnect

no dead space

Zero and span adjustable

Programmable via EPS interface

Sealing cone G 1 male

Process connection: Sealing cone G 1 male

Analog output

Measuring range: -0.5...10 bar / -7...145 psi / -50...1000 kPa

### Application

Application

Type of pressure: relative pressure  
Hygienic systems, viscous media and liquids with suspended particles  
Liquids and gases

Pressure rating

50 bar

725 psi

5000 kPa

Bursting pressure min.

150 bar

2175 psi

15000 kPa

Medium temperature

[°C]

-25...80

### Electrical data

Electrical design

3-wire DC; 2-wire DC

Operating voltage

[V]

14...30 DC

Insulation resistance

[MΩ]

> 100 (500 V DC)

Protection class

III

Reverse polarity protection

yes

### Outputs

Output

Analog output

Output function

4...20 mA analog

Overload protection

yes

Analog output

4...20 mA

Max. load

[Ω]

max. (U<sub>b</sub> - 13 V) / 20 mA; 550 at U<sub>b</sub> = 24 V

### Measuring / setting range

Measuring range

-0.5...10 bar

-7...145 psi

-50...1000 kPa



# PL2654

PL-010-REA01-E-ZVG/US/ /P



Pressure sensors

### Setting range

Analog start point, ASP	-0.50...7.49 bar	-7...109 psi	-50...749 kPa
Analog end point, AEP	2.0...9.99 bar	29...145 psi	200...999 kPa
in steps of	0.01 bar	1 psi	1 kPa
Factory setting	ASP = 0.00 bar; AEP = 9.99 bar		

### Accuracy / deviations

#### Accuracy / deviations

(in % of the span) Turn down 1:1

Characteristics deviation *)	< ± 0.6
Linearity	< ± 0.5
Hysteresis	< ± 0.1
Repeatability **)	< ± 0.1
Long-term stability ***)	< ± 0.1
Temperature coefficients (TEMPCO) in the temperature range 0...80° C (in % of the span per 10 K)	
Greatest TEMPCO of the zero point	< ± 0.1
Greatest TEMPCO of the span	< ± 0.2

### Reaction times

Response time analog output [ms]	3
----------------------------------	---

### Environment

Ambient temperature [°C]	-25...80
Storage temperature [°C]	-40...100
Protection	IP 67

### Tests / approvals

EMC	EN 61000-4-2 ESD: 4 kV CD / 8 kV AD EN 61000-4-3 HF radiated: 10 V/m EN 61000-4-4 Burst: 2 kV EN 61000-4-6 HF conducted: 10 V
Shock resistance	DIN IEC 68-2-27: 50 g (11 ms)
Vibration resistance	DIN IEC 68-2-6: 20 g (10...2000 Hz)
MTTF [Years]	271

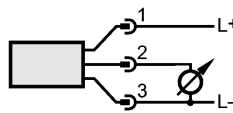
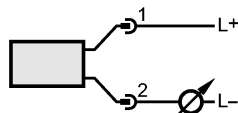
### Mechanical data

Process connection	Sealing cone G 1 male
Materials (wetted parts)	ceramics (99.9 % Al <sub>2</sub> O <sub>3</sub> ); PTFE; stainless steel 316L / 1.4435; surface characteristics: Ra < 0.4 / Rz 4
Housing materials	stainless steel 316L / 1.4404; PEI; FPM (Viton)
Min. pressure cycles	100 million
Weight [kg]	0.383

### Electrical connection

Connection	M12 connector; gold-plated contacts
------------	-------------------------------------

### Wiring





# PL2654

PL-010-REA01-E-ZVG/US/ /P



Pressure sensors

## Remarks

Remarks	*) linearity, incl. hysteresis and repeatability; (limit value setting to DIN 16086) ) with temperature fluctuations < 10 K ) in % of the span per year The 3-A qualification is only valid if adapters with 3-A qualification are used for installation.
---------	---

Pack quantity	[piece]	1
---------------	---------	---