

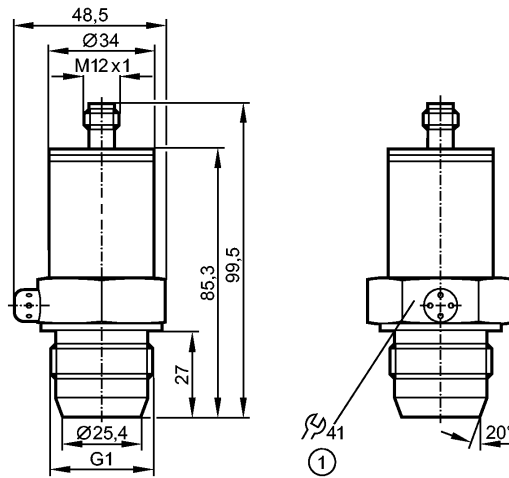


PL2657

PL-001BREA01-E-ZVG/US/ /P



Pressure sensors



1: tightening torque 20 Nm



EC 1935/2004 EHEDG Certified



Product characteristics

Electronic pressure sensor

Quick disconnect

no dead space

Zero and span adjustable

Programmable via EPS interface

Sealing cone G 1 male

Process connection: Sealing cone G 1 male

Analog output

Measuring range: -50...1000 mbar / -0.7...14.5 psi / -5.0...100 kPa

Application

Application	Type of pressure: relative pressure Hygienic systems, viscous media and liquids with suspended particles Liquids and gases		
Pressure rating	10000 mbar	145 psi	1000 kPa
Bursting pressure min.	30000 mbar	450 psi	3000 kPa
Medium temperature [°C]	-25...80		

Electrical data

Electrical design	3-wire DC; 2-wire DC		
Operating voltage [V]	14...30 DC		
Insulation resistance [MΩ]	> 100 (500 V DC)		
Protection class	III		
Reverse polarity protection	yes		

Outputs

Output	Analog output		
Output function	4...20 mA analog		
Overload protection	yes		
Analog output	4...20 mA		
Max. load [Ω]	max. (U _b - 13 V) / 20 mA; 550 at U _b = 24 V		

Measuring / setting range

Measuring range	-50...1000 mbar	-0.7...14.5 psi	-5.0...100 kPa
-----------------	-----------------	-----------------	----------------



PL2657

PL-001BREA01-E-ZVG/US/ /P

Pressure sensors

Setting range

Analog start point, ASP	-50...749 mbar	-0.7...10.9 psi	-5.0...74.9 kPa
Analog end point, AEP	200...999 mbar	2.9...14.5 psi	20 ...99.9 kPa
in steps of	1 mbar	0.1 psi	0.1 kPa
Factory setting	ASP = 0 mbar; AEP = 999 mbar		

Accuracy / deviations

Accuracy / deviations

(in % of the span) Turn down 1:1

Characteristics deviation *)	< ± 0.6
Linearity	< ± 0.5
Hysteresis	< ± 0.1
Repeatability **)	< ± 0.1
Long-term stability ***)	< ± 0.1
Temperature coefficients (TEMPCO) in the temperature range 0...80° C (in % of the span per 10 K)	
Greatest TEMPCO of the zero point	< ± 0.1
Greatest TEMPCO of the span	< ± 0.2

Reaction times

Response time analog output [ms]	3
----------------------------------	---

Environment

Ambient temperature [°C]	-25...80
Storage temperature [°C]	-40...100
Protection	IP 67

Tests / approvals

EMC	EN 61000-4-2 ESD:	4 kV CD / 8 kV AD
	EN 61000-4-3 HF radiated:	10 V/m
	EN 61000-4-4 Burst:	2 kV
	EN 61000-4-6 HF conducted:	10 V
Shock resistance	DIN IEC 68-2-27:	50 g (11 ms)
Vibration resistance	DIN IEC 68-2-6:	20 g (10...2000 Hz)
MTTF [Years]		248

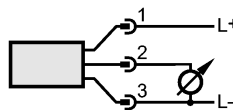
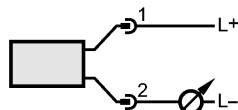
Mechanical data

Process connection	Sealing cone G 1 male
Materials (wetted parts)	ceramics (99.9 % Al ₂ O ₃); PTFE; stainless steel 316L / 1.4435; surface characteristics: Ra < 0.4 / Rz 4
Housing materials	stainless steel 316L / 1.4404; PEI; FPM (Viton)
Min. pressure cycles	100 million
Weight [kg]	0.386

Electrical connection

Connection	M12 connector; gold-plated contacts
------------	-------------------------------------

Wiring





PL2657

PL-001BREA01-E-ZVG/US/ /P



Pressure sensors

Remarks

Remarks	*) linearity, incl. hysteresis and repeatability; (limit value setting to DIN 16086)) with temperature fluctuations < 10 K) in % of the span per year The 3-A qualification is only valid if adapters with 3-A qualification are used for installation.
---------	---

Pack quantity	[piece]	1
---------------	---------	---