

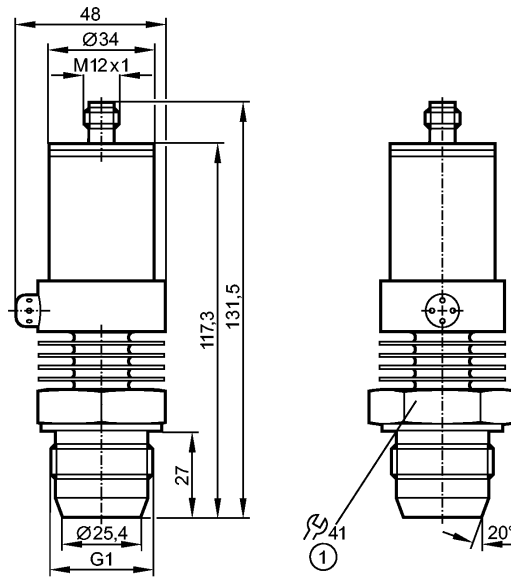


PM2656

PM-2.5-REA01-E-ZVG/US/ /P



Pressure sensors



1: tightening torque 20 Nm



EC 1935/2004 EHEDG Certified



Product characteristics

Electronic pressure sensor

Quick disconnect

no dead space

Zero and span adjustable

Programmable via EPS interface

Sealing cone G 1 male

Process connection: Sealing cone G 1 male

Analog output

Measuring range: -0.13...2.50 bar / -1.8...36.3 psi / -13...250 kPa

Application

Application

Type of pressure: relative pressure
Hygienic systems, viscous media and liquids with suspended particles
Liquids and gases

Pressure rating

20 bar

290 psi

2000 kPa

Bursting pressure min.

50 bar

725 psi

5000 kPa

Medium temperature

[°C]

-25...125 (145 max. 1h)

Electrical data

Electrical design

3-wire DC; 2-wire DC

Operating voltage

[V]

14...30 DC

Insulation resistance

[MΩ]

> 100 (500 V DC)

Protection class

III

Reverse polarity protection

yes

Outputs

Output

Analog output

Output function

4...20 mA analog

Overload protection

yes

Analog output

4...20 mA

Max. load

[Ω]

max. (U_b - 13 V) / 20 mA; 550 at U_b = 24 V



PM2656

PM-2.5-REA01-E-ZVG/US/ /P



Pressure sensors

| Measuring / setting range | | | |
|---------------------------|-------------------------------|-----------------|---------------|
| Measuring range | -0.13...2.50 bar | -1.8...36.3 psi | -13...250 kPa |
| Setting range | | | |
| Analog start point, ASP | -0.13...1.88 bar | -1.8...27.2 psi | -13...188 kPa |
| Analog end point, AEP | 0.50...2.50 bar | 7.3 ...36.3 psi | 50...250 kPa |
| in steps of | 0.01 bar | 0.1 psi | 1 kPa |
| Factory setting | ASP = 0.0 bar; AEP = 2.50 bar | | |

| Accuracy / deviations | |
|--|---------|
| Accuracy / deviations (in % of the span) Turn down 1:1 | |
| Characteristics deviation *) | < ± 0.6 |
| Linearity | < ± 0.5 |
| Hysteresis | < ± 0.1 |
| Repeatability **) | < ± 0.1 |
| Long-term stability ***) | < ± 0.1 |
| Temperature coefficients (TEMPCO) in the temperature range 0...80° C (in % of the span per 10 K) | |
| Greatest TEMPCO of the zero point | < ± 0.1 |
| Greatest TEMPCO of the span | < ± 0.2 |

| Reaction times | |
|----------------------------------|---|
| Response time analog output [ms] | 3 |

| Environment | |
|--------------------------|-----------|
| Ambient temperature [°C] | -25...80 |
| Storage temperature [°C] | -40...100 |
| Protection | IP 67 |

| Tests / approvals | |
|----------------------|--|
| EMC | EN 61000-4-2 ESD: 4 kV CD / 8 kV AD EN 61000-4-3 HF radiated: 10 V/m EN 61000-4-4 Burst: 2 kV EN 61000-4-6 HF conducted: 10 V |
| Shock resistance | DIN IEC 68-2-27: 50 g (11 ms) |
| Vibration resistance | DIN IEC 68-2-6: 20 g (10...2000 Hz) |
| MTTF [Years] | 271 |

| Mechanical data | |
|--------------------------|--|
| Process connection | Sealing cone G 1 male |
| Materials (wetted parts) | ceramics (99.9 % Al ₂ O ₃); PTFE; stainless steel 316L / 1.4435; surface characteristics: Ra < 0.4 / Rz 4 |
| Housing materials | stainless steel 316L / 1.4404; PEI; FPM (Viton) |
| Min. pressure cycles | 100 million |
| Weight [kg] | 0.53 |

| Electrical connection | |
|-----------------------|-------------------------------------|
| Connection | M12 connector; gold-plated contacts |

Wiring

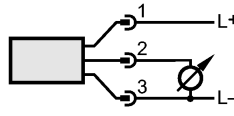
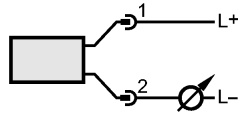


PM2656

PM-2.5-REA01-E-ZVG/US/ /P



Pressure sensors



Remarks

Remarks

*) linearity, incl. hysteresis and repeatability;
(limit value setting to DIN 16086)
**) with temperature fluctuations < 10 K
***) in % of the span per year
The 3-A qualification is only valid if adapters with 3-A qualification are used for installation.

| | | |
|---------------|---------|---|
| Pack quantity | [piece] | 1 |
|---------------|---------|---|