

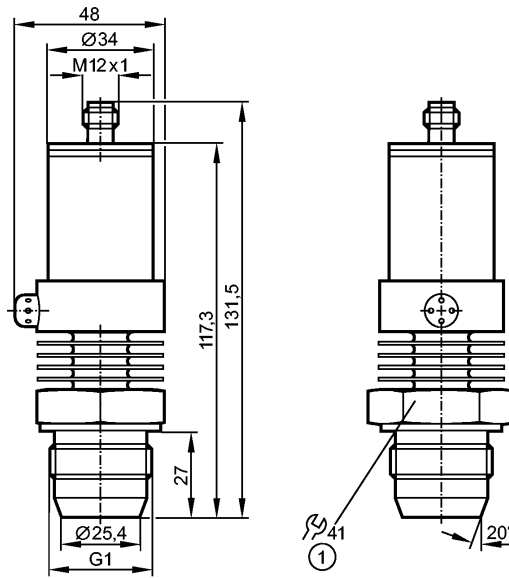


PM2657

PM-001BREA01-E-ZVG/US/ /P



Pressure sensors



1: tightening torque 20 Nm



EC 1935/2004 EHEDG Certified



Product characteristics

Electronic pressure sensor

Quick disconnect

no dead space

Zero and span adjustable

Programmable via EPS interface

Sealing cone G 1 male

Process connection: Sealing cone G 1 male

Analog output

Measuring range: -50...1000 mbar / -0.7...14.5 psi / -5.0...100 kPa

Application

Application	Type of pressure: relative pressure Hygienic systems, viscous media and liquids with suspended particles Liquids and gases		
Pressure rating	10000 mbar	145 psi	1000 kPa
Bursting pressure min.	30000 mbar	450 psi	3000 kPa
Medium temperature [°C]	-25...125 (145 max. 1h)		

Electrical data

Electrical design	3-wire DC; 2-wire DC		
Operating voltage [V]	14...30 DC		
Insulation resistance [MΩ]	> 100 (500 V DC)		
Protection class	III		
Reverse polarity protection	yes		

Outputs

Output	Analog output		
Output function	4...20 mA analog		
Overload protection	yes		
Analog output	4...20 mA		
Max. load [Ω]	max. (U _b - 13 V) / 20 mA; 550 at U _b = 24 V		



PM2657

PM-001BREA01-E-ZVG/US/ /P



Pressure sensors

Measuring / setting range			
Measuring range	-50...1000 mbar	-0.7...14.5 psi	-5.0...100 kPa
Setting range			
Analog start point, ASP	-50...749 mbar	-0.7...10.9 psi	-5.0...74.9 kPa
Analog end point, AEP	200...999 mbar	2.9...14.5 psi	20 ...99.9 kPa
in steps of	1 mbar	0.1 psi	0.1 kPa
Factory setting	ASP = 0 mbar; AEP = 999 mbar		
Accuracy / deviations			
Accuracy / deviations (in % of the span) Turn down 1:1			
Characteristics deviation *)	< ± 0.6		
Linearity	< ± 0.5		
Hysteresis	< ± 0.1		
Repeatability **)	< ± 0.1		
Long-term stability ***)	< ± 0.1		
Temperature coefficients (TEMPCO) in the temperature range 0...80° C (in % of the span per 10 K)			
Greatest TEMPCO of the zero point	< ± 0.1		
Greatest TEMPCO of the span	< ± 0.2		
Reaction times			
Response time analog output [ms]	3		
Environment			
Ambient temperature [°C]	-25...80		
Storage temperature [°C]	-40...100		
Protection	IP 67		
Tests / approvals			
EMC	EN 61000-4-2 ESD:	4 kV CD / 8 kV AD	
	EN 61000-4-3 HF radiated:	10 V/m	
	EN 61000-4-4 Burst:	2 kV	
	EN 61000-4-6 HF conducted:	10 V	
Shock resistance	DIN IEC 68-2-27:	50 g (11 ms)	
Vibration resistance	DIN IEC 68-2-6:	20 g (10...2000 Hz)	
MTTF [Years]	271		
Mechanical data			
Process connection	Sealing cone G 1 male		
Materials (wetted parts)	ceramics (99.9 % Al ₂ O ₃); PTFE; stainless steel 316L / 1.4435; surface characteristics: Ra < 0.4 / Rz 4		
Housing materials	stainless steel 316L / 1.4404; PEI; FPM (Viton)		
Min. pressure cycles	100 million		
Weight [kg]	0.529		
Electrical connection			
Connection	M12 connector; gold-plated contacts		
Wiring			

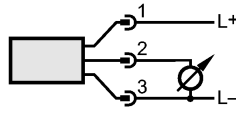
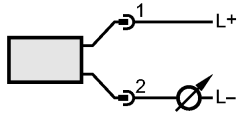


PM2657

PM-001BREA01-E-ZVG/US/ /P



Pressure sensors



Remarks

Remarks

*) linearity, incl. hysteresis and repeatability;
 (limit value setting to DIN 16086)
 **) with temperature fluctuations < 10 K
 ***) in % of the span per year
 The 3-A qualification is only valid if adapters with 3-A qualification are used for installation.

Pack quantity

[piece]

1