

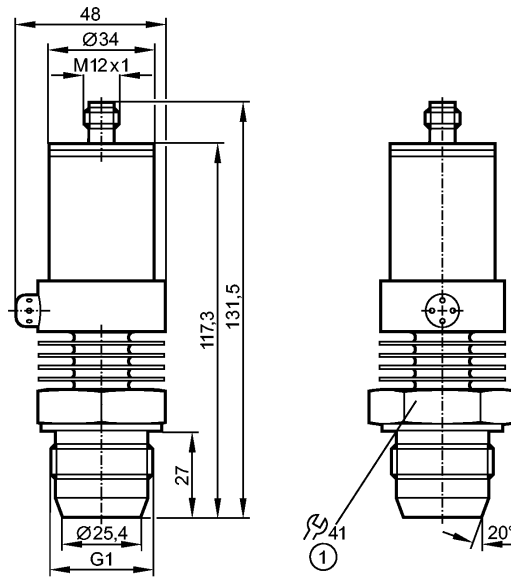


PM2658

PM-,25BREA01-E-ZVG/US/ /P



Pressure sensors



1: tightening torque 20 Nm



EC 1935/2004 EHEDG Certified



Product characteristics

Electronic pressure sensor

Quick disconnect

no dead space

Zero and span adjustable

Programmable via EPS interface

Sealing cone G 1 male

Process connection: Sealing cone G 1 male

Analog output

Measuring range: -12.5...250 mbar

Application

Application

Type of pressure: relative pressure
Hygienic systems, viscous media and liquids with suspended particles
Liquids and gases

Pressure rating [mbar]

10000

Bursting pressure min. [mbar]

30000

Medium temperature [°C]

-25...125 (145 max. 1h)

Electrical data

Electrical design

3-wire DC; 2-wire DC

Operating voltage [V]

14...30 DC

Insulation resistance [MΩ]

> 100 (500 V DC)

Protection class

III

Reverse polarity protection

yes

Outputs

Output

Analog output

Output function

4...20 mA analog

Overload protection

yes

Analog output

4...20 mA

Max. load [Ω]

max. (Ub - 13 V) / 20 mA; 550 at Ub = 24 V



PM2658

PM-,25BREA01-E-ZVG/US/ /P



Pressure sensors

Measuring / setting range	
Measuring range [mbar]	-12.5...250
Setting range	
Analog start point, ASP [mbar]	-12.5...100.0
Analog end point, AEP [mbar]	50.0...250.0
in steps of [mbar]	0.5
Factory setting	ASP = 0.0 mbar; AEP = 250.0 mbar
Accuracy / deviations	
Accuracy / deviations (in % of the span) Turn down 1:1	
Characteristics deviation *)	< ± 0.6
Linearity	< ± 0.5
Hysteresis	< ± 0.1
Repeatability **)	< ± 0.1
Long-term stability ***)	< ± 0.1
Temperature coefficients (TEMPCO) in the temperature range 0...80° C (in % of the span per 10 K)	
Greatest TEMPCO of the zero point	< ± 0.1
Greatest TEMPCO of the span	< ± 0.4
Reaction times	
Response time analog output [ms]	3
Environment	
Ambient temperature [°C]	-25...80
Storage temperature [°C]	-40...100
Protection	IP 67
Tests / approvals	
EMC	EN 61000-4-2 ESD: 4 kV CD / 8 kV AD EN 61000-4-3 HF radiated: 10 V/m EN 61000-4-4 Burst: 2 kV EN 61000-4-6 HF conducted: 10 V
Shock resistance	DIN IEC 68-2-27: 50 g (11 ms)
Vibration resistance	DIN IEC 68-2-6: 20 g (10...2000 Hz)
MTTF [Years]	271
Mechanical data	
Process connection	Sealing cone G 1 male
Materials (wetted parts)	ceramics (99.9 % Al ₂ O ₃); PTFE; stainless steel 316L / 1.4435; surface characteristics: Ra < 0.4 / Rz 4
Housing materials	stainless steel 316L / 1.4404; PEI; FPM (Viton)
Min. pressure cycles	100 million
Weight [kg]	0.526
Electrical connection	
Connection	M12 connector; gold-plated contacts
Wiring	

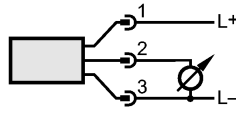
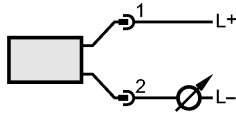


PM2658

PM-,25BREA01-E-ZVG/US/ /P



Pressure sensors



Remarks

Remarks

*) linearity, incl. hysteresis and repeatability;
 (limit value setting to DIN 16086)
 **) with temperature fluctuations < 10 K
 ***) in % of the span per year
 The 3-A qualification is only valid if adapters with 3-A qualification
 are used for installation.

Pack quantity

[piece]

1