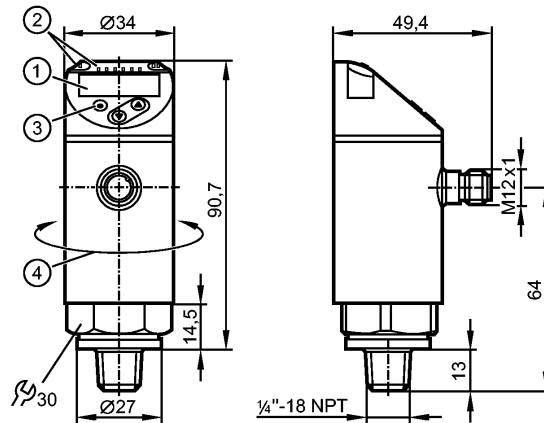


**PN2692**

PN-100-SEN14-MFRKG/US/ IV

Pressure sensors



- 1: 4-digit alphanumeric display / alternating indication of red and green
- 2: LEDs (display unit / switching status)
- 3: Programming button
- 4: Upper part of the housing can be rotated by 345°



**Product characteristics**

Electronic pressure sensor
M12 connector
Function programmable
Measuring element: ceramic-capacitive pressure measuring cell
Process connection: 1/4" NPT
2 outputs OUT1 = switching output OUT2 = switching output or analog output
4-digit alphanumeric display / alternating indication of red and green
Measuring range: 0...1450 psi / 0...100 bar / 0...10 MPa

**Application**

Application	Type of pressure: relative pressure Group 2 fluids according to the Pressure Equipment Directive (PED), group 1 fluids on request		
Pressure rating	4350 psi	300 bar	30 MPa
Bursting pressure min.	9400 psi	650 bar	65 MPa
Vacuum resistance [mbar]	-1000		
Medium temperature [°C]	-25...80		

**Electrical data**

Electrical design	DC PNP/NPN
Operating voltage [V]	18...30 DC <sup>1)</sup>
Current consumption [mA]	< 35
Insulation resistance [MΩ]	> 100 (500 V DC)
Protection class	III
Reverse polarity protection	yes

**Outputs**

Output	2 outputs OUT1 = switching output OUT2 = switching output or analog output
--------	--

**PN2692**

PN-100-SEN14-MFRKG/US/ IV

**Pressure sensors**

Output function	2 x normally open / closed programmable or 1 x normally open / closed programmable + 1 x analog (4...20 mA / 0...10 V; programmable 1:5)		
Current rating [mA]	250		
Voltage drop [V]	< 2		
Short-circuit protection	yes (non-latching)		
Overload protection	yes		
Switching frequency [Hz]	≤ 500		
Analog output	4...20 mA; 0...10 V		
Max. load [Ω]	4...20 mA: max. 500		
Min. load resistance [Ω]	0...10 V: min. 2000		

Measuring / setting range			
Measuring range	0...1450 psi	0...100 bar	0...10 MPa
Setting range			
Set point, SP	10...1450 psi	0.6...100 bar	0.06...10 MPa
Reset point, rP	4...1444 psi	0.2...99.6 bar	0.02...9.96 MPa
Analog start point, ASP	0...1160 psi	0...80 bar	0...8 MPa
Analog end point, AEP	290...1450 psi	20...100 bar	2...10 MPa
in steps of	2 psi	0.2 bar	0.02 MPa

Accuracy / deviations	
Accuracy / deviations (in % of the span) Turn down 1:1	
Switch point accuracy	< ± 0.4
Characteristics deviation *)	< ± 0.25 (BFSL) / < ± 0.5 (LS)
Hysteresis	< ± 0.1
Repeatability **)	< ± 0.1
Long-term stability ***)	< ± 0.05
Temperature coefficients (TEMPCO) in the temperature range -25...80° C (in % of the span per 10 K)	
Greatest TEMPCO of the zero point	0.2
Greatest TEMPCO of the span	0.2

Reaction times	
Power-on delay time [s]	0.3
Min. response time switching output [ms]	< 1.5
Delay time programmable dS, dr [s]	0...50
Damping for the switching output (dAP) [s]	0...4
Damping for the analog output (dAA) [s]	0...4
Response time analog output [ms]	< 3
Integrated watchdog	yes

Software / programming	
Programming options	hysteresis / window function; NO / NC; on delay, off delay; damping; display unit; current/ voltage output

Interfaces	
IO-Link Device	
Transfer type	COM2
IO-Link revision	1.1

**PN2692**

PN-100-SEN14-MFRKG/US/ IV

**Pressure sensors**

SDCI standard	IEC 61131-9
IO-Link Device ID	471 d / 00 01 d7 h
Profiles	Smart Sensor: Process Data Variable; Device Identification, Device Diagnosis
SIO mode	yes
Required master port class	A
Process data analogue	1
Process data binary	2
Min. process cycle time [ms]	2.3

Environment	
Ambient temperature [°C]	-25...80
Storage temperature [°C]	-40...100
Protection	IP 65 / IP 67

Tests / approvals	
Pressure equipment directive	97/23/EG: sound engineering practice
EMC	DIN EN 61000-6-2 DIN EN 61000-6-3
Shock resistance	DIN EN 60068-2-27 50 g (11 ms)
Vibration resistance	DIN EN 60068-2-6 20 g (10...2000 Hz)
MTTF [Years]	138
UL approval number	J013

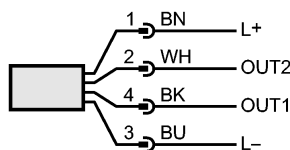
Mechanical data	
Process connection	¼" NPT
Materials (wetted parts)	stainless steel (316L / 1.4404); Al2O3 (ceramics); FKM
Housing materials	stainless steel (316L / 1.4404); PBT+PC-GF 30; PBT-GF 20; PC
Min. pressure cycles	100 million
Tightening torque [Nm]	50 <sup>3)</sup>
Restrictor element integrated	no (can be retrofitted)
Weight [kg]	0.285

Displays / operating elements	
Display	Display unit 3 x LED green (bar, psi, MPa) Switching status 2 x LED yellow 4-digit alphanumeric display / alternating indication Measured values of red and green

Electrical connection	
Connection	M12 connector; gold-plated contacts

**Wiring**

- Core colors
- BK black
  - BN brown
  - BU blue
  - WH white



OUT1: switching output or IO-Link  
 OUT2: switching output or 4...20 mA / 0...10 V  
 Colours to DIN EN 60947-5-2

**Remarks**

**PN2692**

PN-100-SEN14-MFRKG/US/ IV

**Pressure sensors**

Remarks

\*) BFSL = Best Fit Straight Line / LS = Limit Value Setting  
\*\*) with temperature fluctuations < 10 K  
\*\*\*) in% of the span / 6 months  
1) to EN50178, SELV, PELV  
2) Depends on lubrication, seal and pressure rating

Pack quantity

[piece]

1