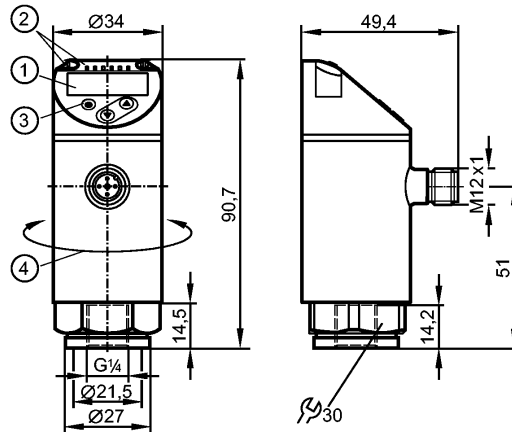


**PN3092**

PN-100-SER14-MFRKG/US/ IV

Pressure sensors



- 1: 4-digit alphanumeric display / alternating indication of red and green
- 2: LEDs (display unit / switching status)
- 3: Programming button
- 4: Upper part of the housing can be rotated by 345°



**Product characteristics**

Electronic pressure sensor
M12 connector
Function programmable
Measuring element: ceramic-capacitive pressure measuring cell
Process connection: G ¼ I / M6 I
2 Output OUT1 = Switching output OUT2 = Analog output
4-digit alphanumeric display / alternating indication of red and green
Measuring range: 0...100 bar / 0...1450 psi / 0...10 MPa

**Application**

Application	Type of pressure: relative pressure Group 2 fluids according to the Pressure Equipment Directive (PED), group 1 fluids on request		
Pressure rating	300 bar	4350 psi	30 MPa
Bursting pressure min.	650 bar	9400 psi	65 MPa
Vacuum resistance [mbar]	-1000		
Medium temperature [°C]	-25...80		

**Electrical data**

Electrical design	DC PNP
Operating voltage [V]	18...30 DC <sup>1)</sup>
Current consumption [mA]	< 35
Insulation resistance [MΩ]	> 100 (500 V DC)
Protection class	III
Reverse polarity protection	yes

**Outputs**

Output	2 Output OUT1 = Switching output OUT2 = Analog output
Output function	normally open / closed programmable; 4...20 mA or 0...10 V

**PN3092**

PN-100-SER14-MFRKG/US/ /V

**Pressure sensors**

Current rating	[mA]	150; 200 (...60 °C); 250 (...40 °C)
Voltage drop	[V]	< 2.5
Short-circuit protection		yes (non-latching)
Overload protection		yes
Switching frequency	[Hz]	≤ 170
Analog output		4...20 mA; 0...10 V
Max. load	[Ω]	4...20 mA: max. 500
Min. load resistance	[Ω]	0...10 V: min. 2000

**Measuring / setting range**

Measuring range	0...100 bar	0...1450 psi	0...10 MPa
Setting range			
Set point, SP	1...100 bar	10...1450 psi	0.1...10 MPa
Reset point, rP	0.5...99.5 bar	5...1445 psi	0.05...9.95 MPa
in steps of	0.5 bar	5 psi	0.05 MPa

**Accuracy / deviations**

Accuracy / deviations (in % of the span)			
Switch point accuracy		< ± 0.5	
Characteristics deviation *)		< ± 0.25 (BFSL) / < ± 0.5 (LS)	
Hysteresis		< ± 0.25	
Repeatability **)		< ± 0.1	
Long-term stability ***)		< ± 0.05	
Temperature coefficients (TEMPCO) in the temperature range -25...80° C (in % of the span per 10 K)			
Greatest TEMPCO of the zero point		0.2	
Greatest TEMPCO of the span		0.2	

**Reaction times**

Power-on delay time	[s]	0.3
Min. response time switching output	[ms]	< 3
Delay time programmable dS, dr	[s]	0...50
Damping for the switching output (dAP)	[s]	0...4
Damping for the analog output (dAA)	[s]	0...4
Response time analog output	[ms]	< 3
Integrated watchdog		yes

**Software / programming**

Programming options	hysteresis / window function; NO / NC; on delay, off delay; damping; display unit; current/ voltage output
---------------------	--

**Interfaces**

IO-Link Device	
Transfer type	COM2
IO-Link revision	1.1
SDCI standard	IEC 61131-9
IO-Link Device ID	429 d / 00 01 ad h
Profiles	Smart Sensor: Process Data Variable; Device Identification, Device Diagnosis
SIO mode	yes

**PN3092**

PN-100-SER14-MFRKG/US/ IV

**Pressure sensors**

Required master port class	A
Process data analogue	1
Process data binary	1
Min. process cycle time [ms]	2.3

Environment	
Ambient temperature [°C]	-25...80
Storage temperature [°C]	-40...100
Protection	IP 65 / IP 67

Tests / approvals	
Pressure equipment directive	sound engineering practice
EMC	DIN EN 61000-6-2 DIN EN 61000-6-3
Shock resistance	DIN EN 60068-2-27      50 g (11 ms)
Vibration resistance	DIN EN 60068-2-6      20 g (10...2000 Hz)
MTTF [Years]	187
UL approval number	J005

Mechanical data	
Process connection	G ¼ I / M6 I
Materials (wetted parts)	316L stainless steel / 1.4404; (V4A / 316L); Al2O3 (ceramics); FKM
Housing materials	316L stainless steel / 1.4404 (V4A / 316L); PBT+PC-GF 30; PBT-GF 20; PC
Min. pressure cycles	100 million
Tightening torque [Nm]	25...35 (recommended tightening torque <sup>2</sup> )
Restrictor element integrated	no (can be retrofitted)
Weight [kg]	0.272

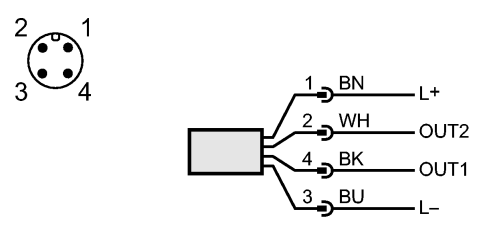
Displays / operating elements	
Display	Display unit      3 x LED green (bar, psi, MPa) Switching status      1 x LED yellow 4-digit alphanumeric display / alternating indication Measured values of red and green

Electrical connection	
Connection	M12 connector; gold-plated contacts

**Wiring**

Core colors

BK	black
BN	brown
BU	blue
WH	white



OUT1: switching output or IO-Link  
OUT2: 4...20 mA / 0...10 V  
Colours to DIN EN 60947-5-2

Remarks	
Remarks	<p>*) BFSL = Best Fit Straight Line / LS = Limit Value Setting</p> <p>**) with temperature fluctuations &lt; 10 K</p> <p>***) in% of the span / 6 months</p> <p>1) to EN50178, SELV, PELV</p> <p>2) Depends on lubrication, seal and pressure rating</p>



**PN3092**

PN-100-SER14-MFRKG/US/ /V

**Pressure sensors**

Pack quantity [piece] 1