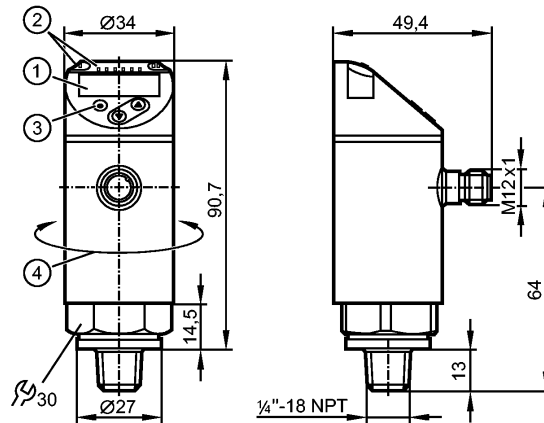


**PN7694**

PN-010-REN14-QFRKG/US/ IV

Pressure sensors



- 1: 4-digit alphanumeric display / alternating indication of red and green
- 2: LEDs (display unit / switching status)
- 3: Programming button
- 4: Upper part of the housing can be rotated by 345°



**Product characteristics**

Electronic pressure monitor
M12 connector
Function programmable
Measuring element: ceramic-capacitive pressure measuring cell
Process connection: 1/4" NPT
2 outputs OUT1 = switching output OUT2 = switching output
4-digit alphanumeric display / alternating indication of red and green
Measuring range: -14.5...145 psi / -1...10 bar / -0.1...1.0 MPa

**Application**

Application	Type of pressure: relative pressure liquids and gases of the fluid group 2 according to Article 9 of the Pressure Equipment Directive (PED)		
Pressure rating	1087 psi	75 bar	7.5 MPa
Bursting pressure min.	2175 psi	150 bar	15 MPa
Medium temperature [°C]	-25...80		

**Electrical data**

Electrical design	DC PNP/NPN
Operating voltage [V]	18...30 DC 1)
Current consumption [mA]	< 35
Insulation resistance [MΩ]	> 100 (500 V DC)
Protection class	III
Reverse polarity protection	yes

**Outputs**

Output	2 outputs OUT1 = switching output OUT2 = switching output
Output function	2 x normally open / closed programmable
Current rating [mA]	150; 200 (...60 °C); 250 (...40 °C)

**PN7694**

PN-010-REN14-QFRKG/US/ IV

**Pressure sensors**

Voltage drop	[V]	< 2.5
Short-circuit protection		yes (non-latching)
Overload protection		yes
Switching frequency	[Hz]	≤ 170

**Measuring / setting range**

Measuring range	-14.5...145 psi	-1...10 bar	-0.1...1.0 MPa
Setting range			
Set point, SP	-13.5...145 psi	-0.90...10 bar	-0.090...1 MPa
Reset point, rP	-14...144.5 psi	-0.95...9.95 bar	-0.095...0.995 MPa
in steps of	0.5 psi	0.05 bar	0.005 MPa

**Accuracy / deviations**

Accuracy / deviations (in % of the span)			
Switch point accuracy		< ± 0.5	
Characteristics deviation *)		< ± 0.25 (BFSL) / < ± 0.5 (LS)	
Hysteresis		< ± 0.25	
Repeatability **)		< ± 0.1	
Long-term stability ***)		< ± 0.05	
Temperature coefficients (TEMPCO) in the temperature range -25...80° C (in % of the span per 10 K)			
Greatest TEMPCO of the zero point		0.2	
Greatest TEMPCO of the span		0.2	

**Reaction times**

Power-on delay time	[s]	< 0.3
Min. response time switching output	[ms]	< 3
Delay time programmable dS, dr	[s]	0...50
Integrated watchdog		yes

**Software / programming**

Programming options	hysteresis / window function; N.O. / N.C; output polarity; on delay, off delay; damping; display unit
---------------------	---

**Interfaces**

IO-Link Device	
Transfer type	COM2 (38.4 kBaud)
IO-Link revision	1.1
SDCI standard	IEC 61131-9
IO-Link Device ID	403 d / 00 01 93 h
Profiles	Smart Sensor: Process Data Variable; Device Identification, Device Diagnosis
SIO mode	yes
Required master port class	A
Process data analogue	1
Process data binary	2
Min. process cycle time	[ms] 2.3

**Environment**

Ambient temperature	[°C]	-25...80
Storage temperature	[°C]	-40...100
Protection		IP 65 / IP 67

**PN7694**

PN-010-REN14-QFRKG/US/ /V

**Pressure sensors**

Tests / approvals	
Pressure equipment directive	article 3, section 3 - sound engineering practice
EMC	DIN EN 61000-6-2 DIN EN 61000-6-3
Shock resistance	DIN EN 60068-2-27      50 g (11 ms)
Vibration resistance	DIN EN 60068-2-6      20 g (10...2000 Hz)
MTTF [Years]	224.01
UL approval number	J001
Mechanical data	
Process connection	¼" NPT
Materials (wetted parts)	316L stainless steel / 1.4404; ceramics; FKM
Housing materials	316L stainless steel / 1.4404; PBT+PC-GF 30; PBT-GF 20; PC
Switching cycles min.	100 million
Weight [kg]	0.245
Displays / operating elements	
Display	Display unit    3 x LED green (bar, psi, MPa) Switching status 2 x LED yellow 4-digit alphanumeric display / alternating indication Measured values of red and green
Electrical connection	
Connection	M12 connector; gold-plated contacts
<b>Wiring</b>	
Core colors BK    black BN    brown BU    blue WH    white	
	<p>OUT1: switching output or IO-Link                  OUT2: switching output                  Colours to DIN EN 60947-5-2</p>
Remarks	
Remarks	<p>1) to EN50178, SELV, PELV                  2) Depends on lubrication, seal and pressure rating                  *) BFSL = Best Fit Straight Line / LS = Limit Value Setting                  **) with temperature fluctuations &lt; 10 K                  ***) in% of the span / 6 months</p>
Pack quantity [piece]	1