

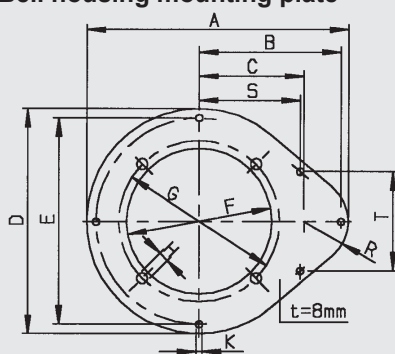
Bell Housing Mounting Plate for Bell Housings Type PT, PTK, PTS



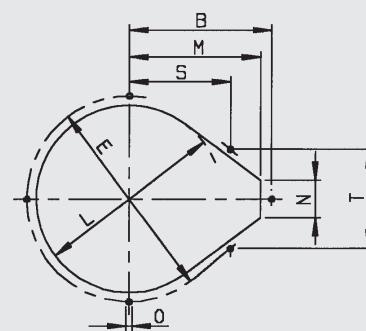
FEATURES

- Enables the complete motor-pump unit to be fitted and removed from outside the tank
- Simplifies cleaning and maintenance
- Bell housing mounting plate in aluminium, seal in NBR rubber (mineral oil resistant)

Bell housing mounting plate

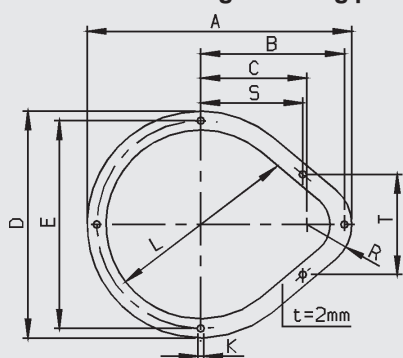


Oil tank cut-out



Size	Part no.	A	B	C	D	E	F	G	H	K	R	L	M	N	O	S	T
PP 200	273931	325	190	140	250	225	146	165	11	9.5	60	200	175	50	M8	84	168
PP 250	272058	350	190	140	300	275	194	215	14	9.5	60	250	175	50	M8	135	134
PP 300	272059	423	225	150	350	330	246	265	14	14.5	98	300	200	100	M12	160	190
PP 350	637939	475	225	160	410	380	262	300	18	14	110	350	200	136	M12	112	307.5

Seal for bell housing mounting plate



Size	Part no.	A	B	C	D	E	K	R	L	S	T
PPD 200	952788	325	190	140	250	225	10	60	200	84	168
PPD 250	952789	350	190	140	300	275	10	60	250	135	134
PPD 300	952812	420	225	150	360	330	15	90	300	160	190
PPD 350	3159093	475	225	160	410	380	20	110	350	112	307.5