

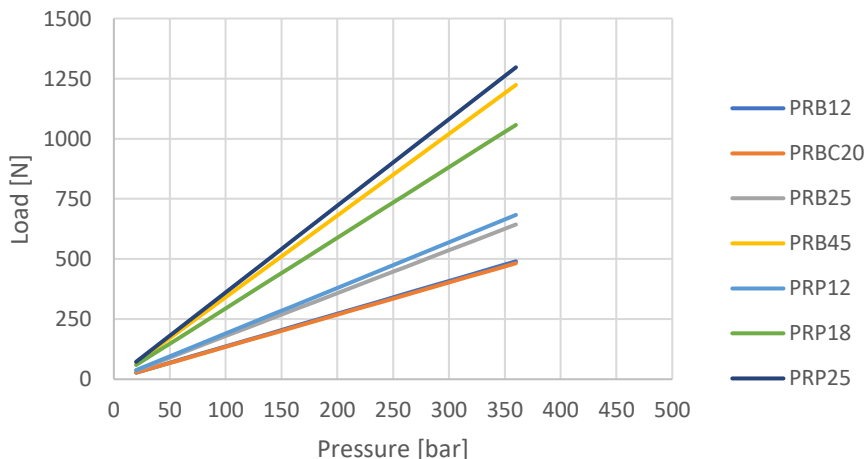
## Working conditions

Pump type	PRB(D)12	PRB(D)25	PRB(D)45	PRBC20	PRP12	PRP18	PRP25
Type	Double acting				Single acting		
Displacement	12 cm <sup>3</sup>	25 cm <sup>3</sup>	45 cm <sup>3</sup>	20 cm <sup>3</sup>	12 cm <sup>3</sup>	18 cm <sup>3</sup>	25 cm <sup>3</sup>
	0.7 in <sup>3</sup>	1.5 in <sup>3</sup>	2.7 in <sup>3</sup>	1.2 in <sup>3</sup>	0.7 in <sup>3</sup>	1.1 in <sup>3</sup>	1.5 in <sup>3</sup>
Max. pressure	380 bar	350 bar	280 bar	350 bar	300 bar	200 bar	160 bar
	5500 psi	5100 psi	4100 psi	4100 psi	4400 psi	2900 psi	2300 psi
Optimal pressure	220 bar	120 bar	80 bar	225 bar	160 bar	120 bar	80 bar
	3200 psi	1700 psi	1200 psi	1200 psi	2300 psi	1700 psi	1200 psi
Fluid	Mineral based oil (DIN51524)						
Fluid temperature (NBR seals)	from -25 °C to 70 °C				from -13 °F to 158 °F		
Viscosity (min.)	10 mm <sup>2</sup> /s				10 cSt		
Viscosity (max.)	500 mm <sup>2</sup> /s				500 cSt		
Max. level of contamination	20/18/15 - ISO 4406				NAS 1683 - class 10		
Ambient temperature	from -20 °C to 60 °C				from -4 °F to 140 °F		
Note - for different working conditions contact sales dept.							

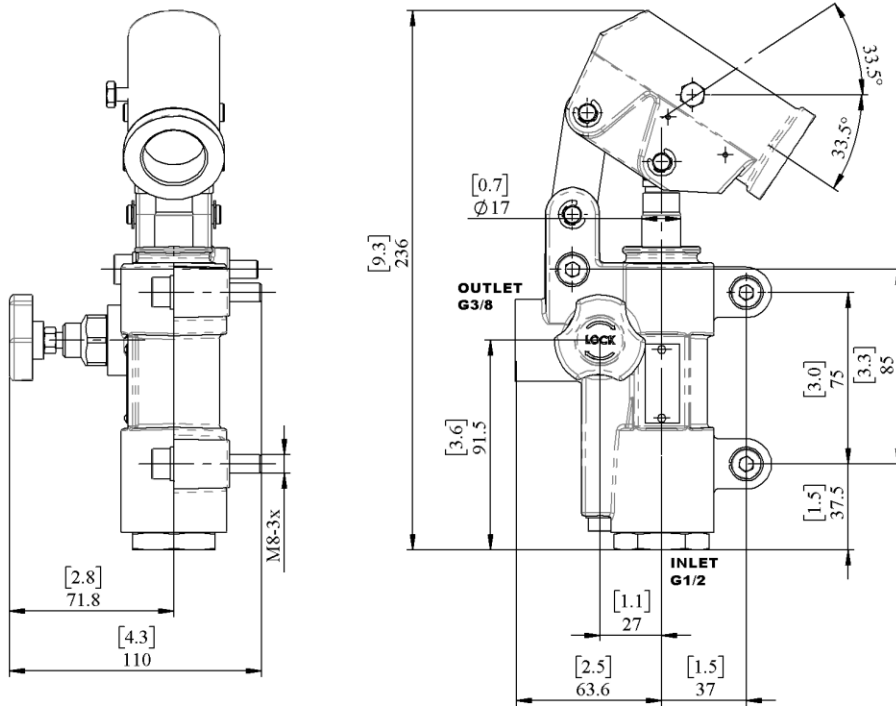
### Reference standard

	BSP	UN-UNF	Metric	NPTF
Thread according to	ISO 228/1	ISO 263	ISO 262	Ansi B1.20.3
	BS 2779	ANSI B1.1 unified		
Cavity dimension according to	ISO	1179	11926	9974-1
	SAE		J1926	J2244
	DIN 3852-2 (Shape X or Y)			J476a
			3852-1 (Shape X or Y)	

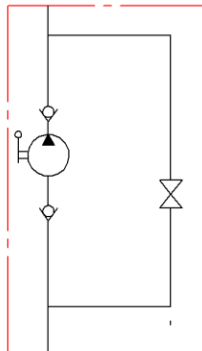
Load effort for 550 mm handle



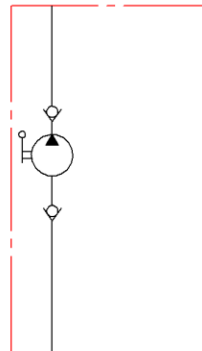
**Dimensional data:**



Hydraulic schemes



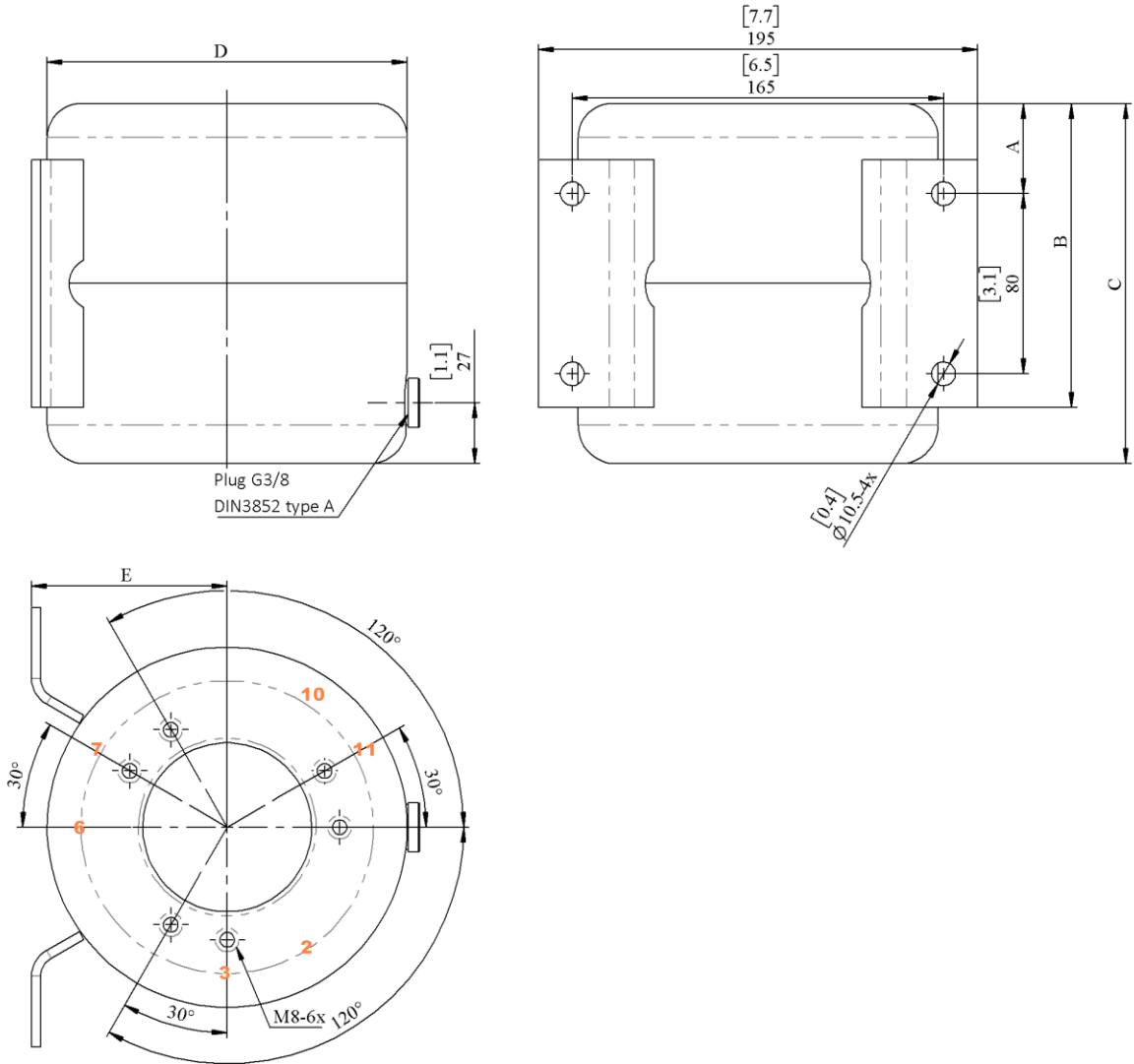
With release valve



Without release valve

**Dimensional data:**

Each tank is painted in RAL9005 and includes the corresponding suction tube and filter



Type	A		B		C		D		E		mass	
	mm	in	mm	in	mm	in	mm	in	mm	in	kg	lbs
R2G	30	1.2	125	4.9	130	5.1	160	6.3	87	3.4	1.9	4.2
R3G	40	1.2	135	4.9	160	5.1	160	6.3	87	3.4	2.1	4.6
R5G	53	2	148	5.8	214	8.4	185	7.3	101	4.0	3.0	6.6
R7G	53	2	148	5.8	240	9.4	205	8.1	113	4.4	3.7	8.2

### Dimensional data:

Each tank is painted in RAL9005 and includes the corresponding suction tube and filter

