



Pressure relief valve Prv 32/42



Pressure relief valve Prv 32/42

All hydraulic systems must be equipped with a pressure relief valve.

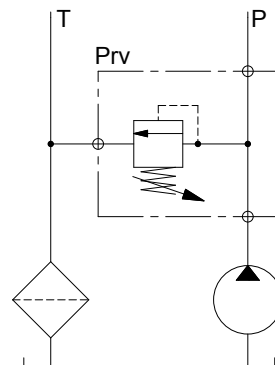
Sunfab in-line mounted pressure relief valve Prv 32/42 protects the pump and hydraulic system.

Sunfab Prv 32/42 supports working pressures of 25,5-32/32-42 MPa and have a capacity for a flow of 150 l/min.

Sunfab Prv 32/42 is mounted close to the pump to protect against pressure surges. Assembly is simplified by the through pressure connection at the same time as the need for adapters and nipples is minimised.

Other advantages offered by Sunfab Prv 32/42:

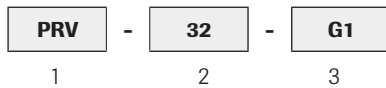
- Pressure gauge socket facilitates adjustment and trouble shooting on the hydraulic system
- Preset opening pressure of 32/42 MPa
- Compact design





Versions, main data

Example



1. Type

PRV	Pressure Relief Valve
------------	-----------------------

2.

32	Preset opening pressure (Mpa)
42	Preset opening pressure(Mpa)

3. Thread

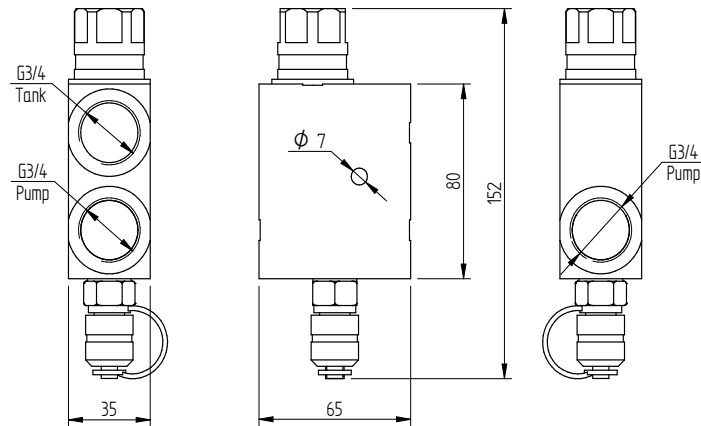
3/4	Connections
G1	Connections

Model PRV

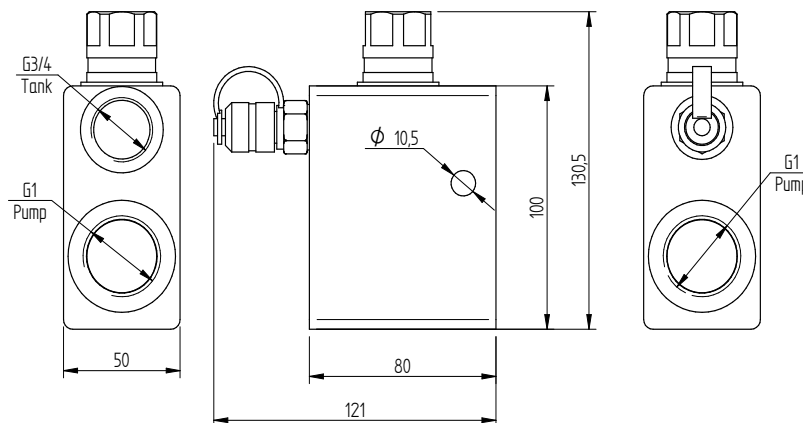
	32-3/4	32-G1	42-3/4	42-G1
Weight	1,2	2,6	1,2	2,6
Max pressure (bar)*	320	320	420	420
Regulation range	255-320	255-320	320-420	320-420
Adjustment bar/rev	110	110	130	130
Max flow l/m	150	150	150	150
Test point type	Minimess	Minimess	Minimess	Minimess
Tank connection	3/4	3/4	3/4	3/4

*Preset at factory

3/4



G1



Sunfab reserves the right to make changes in design and dimensions without notice. Printing and typesetting errors reserved.
 © Copyright 2015 Sunfab Hydraulics AB. All Rights Reserved.