

Description

PSS Series level switch opens or closes electrical circuit to find indicated and fixed level, depending on pressure increases or decreases. Contact level is indicated thanks to float on the switch. Product presents one contact NA, two contact NA/NC or NA/NA options. Electrical connection is made by square socket on the switch. It has been produced as 1" BSP thread connection. It has brass body material.

- 1" BSP dış bağlantı özelliğine sahip.
- 1" BSP thread connection feature.
- Sızdırmazlık contası 1" BSP dış ölçüsüne uygun standartlardadır.
- Sealing gasket complies with 1" BSP thread dimension
- Electromagnetic Float
- Aluminium Flange
- Reproducibility.
- Pipe material; Brass, Bottom Nut ; stainless Steel 316 L
- Bottom and Top level control

Applications

- Machines and tanks
- Treatment Facilities
- Chemical and Petrochemicals
- Ships and yatches
- Liquid Measurement



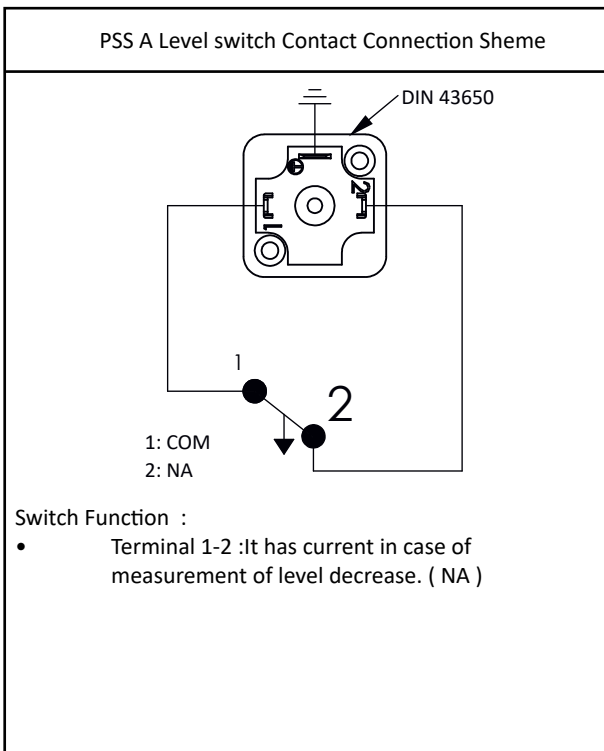
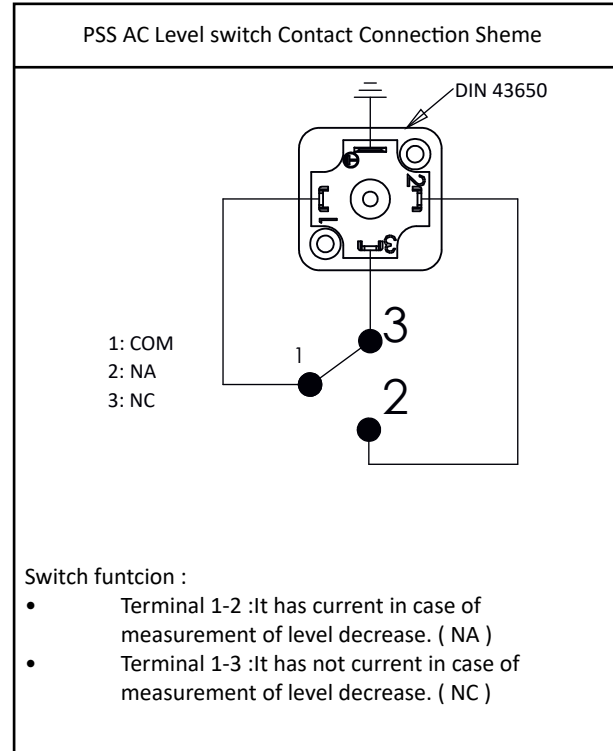
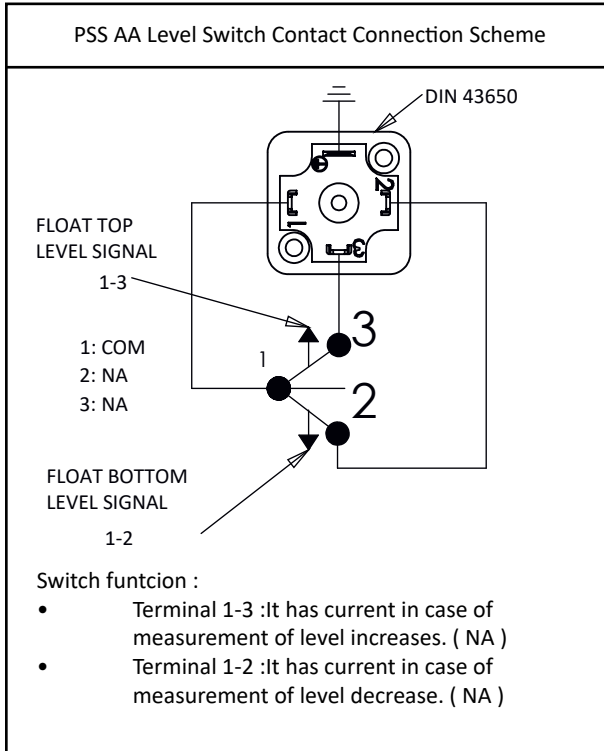
Technical Features

Connection Type	1"		
Electrical Connections	DIN 43650		
Protective Class	DIN 40050:IP65		
Voltage Maximum	200 VDC / 140 VAC		
Current Maximum	1A		
Error Voltage Minimum	240 VDC		
Error Current Minimum	1,2 A		
Range of Level Switch's Life			
Resisted Electrical Value	Voltage	Current	Cycle
	12 VDC	0,1 A	2 x 10 ⁸
	24 VDC	0,4 A	5 x 10 ⁷

Notes

These values are maximum values and they can not be used at the same time. When you need to use the pressure switch in aggressive chemicals or fluids please contact with us. You must stict to rules of clearence standarts Hydraulic oils (fluids). Use filtration to blocking system errors. It is effective for long working life of pressure switches. Please avoid using out of indicated values to have a long service from pressure switch.

Electrical Connection Features



Order Code

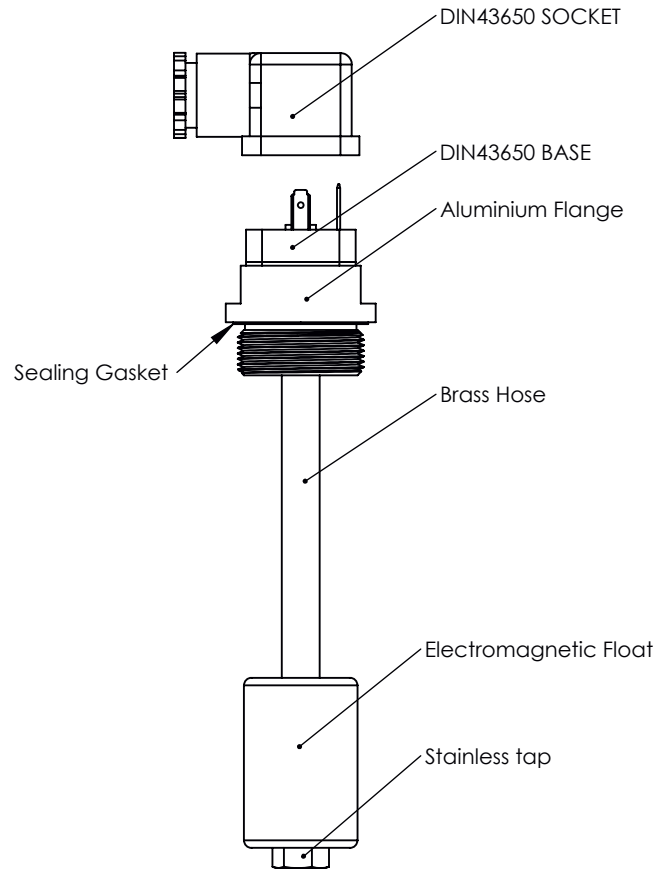
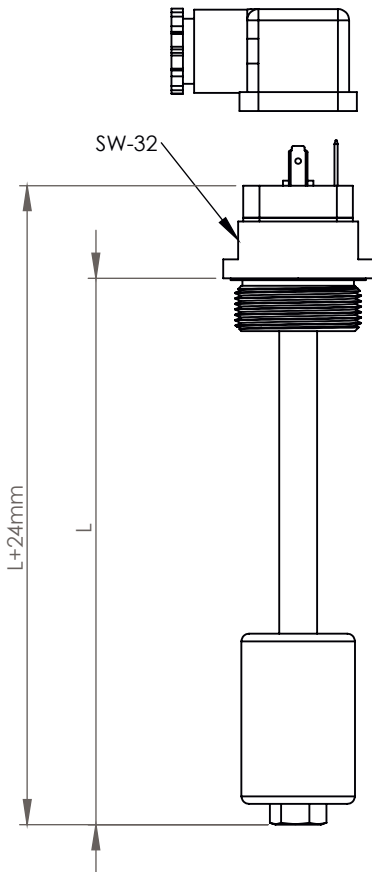
MODEL	PSS	XX	XX
	PSS		
			LEVEL (L)
			100 = 100 mm
			150 = 150 mm
			200 = 200 mm
			250 = 250 mm
			300 = 300 mm
			400 = 400 mm
			500 = 500 mm
			600 = 600 mm
			700 = 700 mm
CONTACT			
BOTTOM LEVEL, ONE CON. (NA)		A	
BOTTOM LVL. TWO CON.(NA/NC)		AC	
TOP AND BOTTOM LVL. CON.(NA/NA)		AA	

Electrical Connection Features

Working Ampere Voltage: 1A 140 VAC

Electrical Connection	EN 175301-803, 2-TERMINAL
Maximum Contact Surface	0,5 mm ²
Minimum Current	1mA 12 V DC
Maksimum Current	1A 140 V AC

Technical Dimensions



PNOMEK

Safe pressure materials..

PNOMEK Hid. Pno. Mak. Kont. Cihazları San. Tic. Ltd. Ş
Çalı Sanayi Bölgesi, Kırmızı Cd. No:16 Nilüfer-BURSA / TÜRKİYE
pnomek@pnomek.com.tr
T.: +90 (224) 251 63 45
F.: +90 (224) 251 63 46