

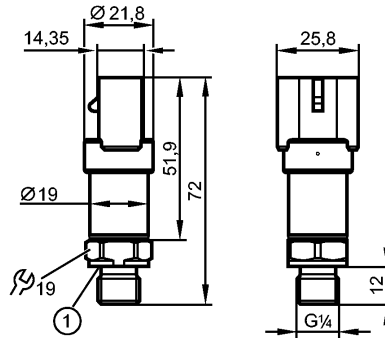


# PT5601

PT-250-SEG14-A-ZVG/AM



Pressure sensors



1: Process connection sealing HNBR / DIN 3869



## Product characteristics

Electronic pressure sensor

for mobile applications

AMP Superseal

E1 compliant

Process connection: G 1/4 A (according to DIN EN ISO 1179-2)

Analog output

Measuring range: 0...250 bar

## Application

Application

Type of pressure: relative pressure  
Group 2 fluids according to the Pressure Equipment Directive (PED),  
group 1 fluids on request

Pressure rating

[bar]

625 (static)

Bursting pressure min.

[bar]

1200

Vacuum resistance

[mbar]

-1000

Medium temperature

[°C]

-40...125

## Electrical data

Electrical design

DC

Operating voltage

[V]

8...32 DC

Insulation resistance

[MΩ]

> 100 (500 V DC)

Protection class

III

Reverse polarity protection

yes

## Outputs

Output

Analog output

Output function

4...20 mA analog

Short-circuit proof

yes

Overload protection

yes

Max. load

[Ω]

(U<sub>b</sub> - 8 V) / 0.02 A

Min. load

[Ω]

(U<sub>b</sub> - 24 V) / 0.02A



# PT5601

PT-250-SEG14-A-ZVG/AM



Pressure sensors

Characteristic load curve current output



1: Max. load; 2: Min. load

### Measuring / setting range

Measuring range [bar] 0...250

### Accuracy / deviations

Accuracy / deviations (in % of the span)

Characteristics deviation \*) < ± 0.8

Linearity < ± 0.25 (BFSL) / < ± 0.5 (LS)

Hysteresis < ± 0.2

Repeatability \*\*) < ± 0.05

Long-term stability \*\*\*) < ± 0.1

Temperature coefficients (TEMPCO) in the temperature range -40...125° C (in % of the span per 10 K)

Greatest TEMPCO of the zero point < ± 0.1 (0...80 °C); < ± 0.2 (-40...0 °C / 80...125 °C)

Greatest TEMPCO of the span < ± 0.1 (0...80 °C); < ± 0.2 (-40...0 °C / 80...125 °C)

### Reaction times

Step response time analogue output [ms] 2

### Environment

Ambient temperature [°C] -40...100

Storage temperature [°C] -40...100

Protection IP 67 / IP 69K

### Tests / approvals

Pressure equipment directive sound engineering practice

EMC  
Conforms to UN ECE 10 rev. 4  
ISO 11452-2 100 V/m  
DIN EN 61326-1

Shock resistance DIN EN 60068-2-27 500 g (1 ms)

Vibration resistance DIN EN 60068-2-6 20 g (10...2000 Hz)

MTTF [Years] 700

### Mechanical data

Process connection G ¼ A (according to DIN EN ISO 1179-2)

Process connection sealing HNBR (to DIN 3869)

Materials (wetted parts) 1.4542 (17-4 PH / 630)<sup>2</sup>

Housing materials 1.4542 (17-4 PH / 630)<sup>2</sup>; stainless steel (316L / 1.4404); PPS

Min. pressure cycles 60 millions in the course of the lifetime (at 1.2 times the nominal pressure)

Tightening torque [Nm] 25...35 (recommended tightening torque<sup>1</sup>)

Restrictor element integrated yes



# PT5601

PT-250-SEG14-A-ZVG/AM

Pressure sensors

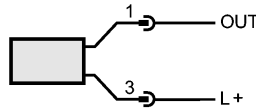
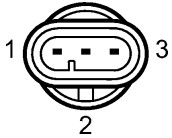
|        |      |       |
|--------|------|-------|
| Weight | [kg] | 0.062 |
|--------|------|-------|

## Electrical connection

|            |               |
|------------|---------------|
| Connection | AMP Superseal |
|------------|---------------|

|                   |     |    |
|-------------------|-----|----|
| Max. cable length | [m] | 30 |
|-------------------|-----|----|

### Wiring



OUT: 4...20 mA

## Remarks

|         |   |
|---------|---|
| Remarks | <p>*) incl. drift when overtightened, zero point and span error, non-linearity, hysteresis</p> <p>**) with temperature fluctuations &lt; 10 K</p> <p>***) in% of the span / 6 months</p> <p>1) Depends on lubrication, seal and pressure rating</p> <p>2) Characteristics similar to stainless steel (e.g. 304/1.4301) but higher strength.</p> <p>BFSL = Best Fit Straight Line / LS = Limit Value Setting</p> |
|---------|---|

|               |         |   |
|---------------|---------|---|
| Pack quantity | [piece] | 1 |
|---------------|---------|---|