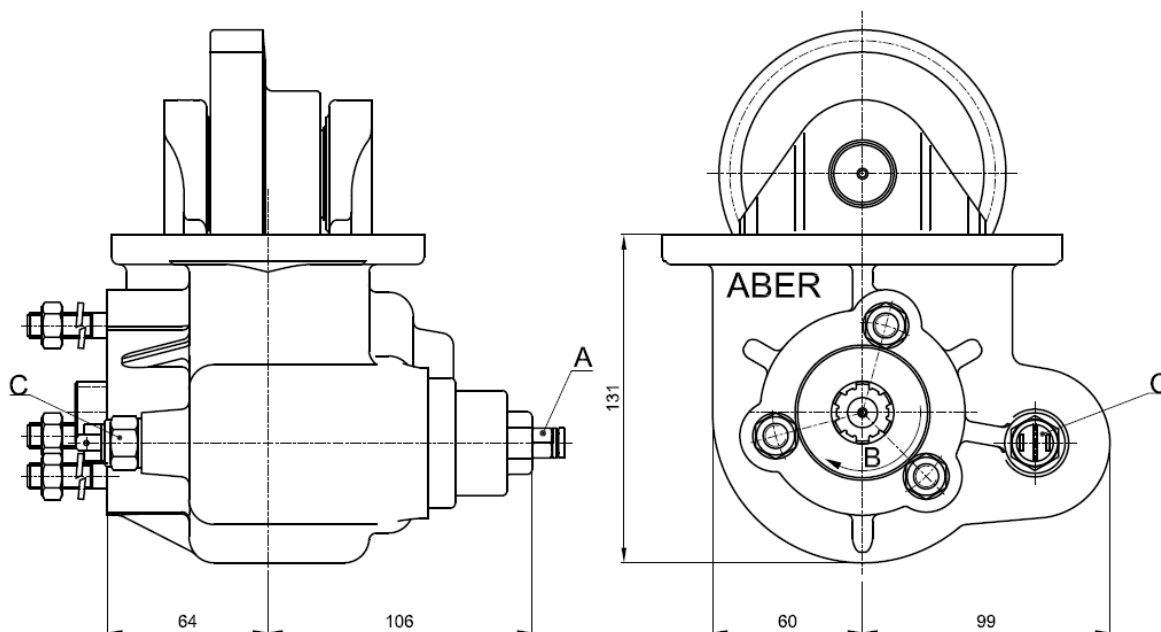




Power Take Offs		Ref. TF19001P
MAZ	236	

Main Dimensions



- A – Pneumatic connection
- B – Pump rotation
- C – Option: Electric sensor with mechanical driving Ref. 19001PS

(Dimensions in mm)

Main Data

Continuous Torque (Nm)	320
Intermittent Torque (Nm)	400
Power (at 1000 r.p.m)	48 C.V. / 35 Kw
Mounting Position	Right
Pump Rotation	Left Hand
Weight (Kg)	9
Engine to PTO ratio	
Maz 236 1 : 0.900	

CTI TF19001P 0905-0

ABER is constantly engaged in improving its products and, therefore, reserves itself the right to modify without any further notice the characteristics shown. The gear boxes are in constant change; therefore, ABER is not to be held responsible for any damage resulting from wrong application or application of outdated material.



ABER - Embraiaçens e Comandos Hidráulicos - A. B. LDA

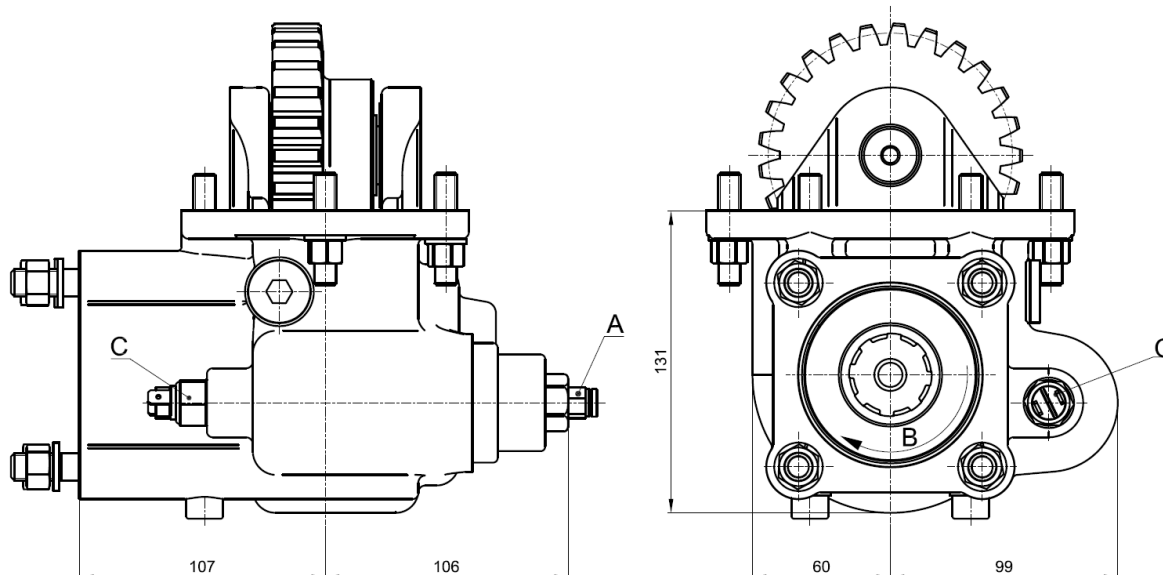
Rua Francisco de Almeida, Nº 30 – Vila Nova da Telha – 4470 MAIA - Portugal

Telephone: +351.22.9438070 Fax: +351.22.9420823 e-mail: aber@aber.pt <http://www.aber.pt>



Power Take Offs		Ref. TF19002P
MAZ	236 ISO7653	

Main Dimensions



- A – Pneumatic connection
- B – Pump rotation
- C – Option: Electric sensor with mechanical driving Ref. TF19002PS or TF19002PC

(Dimensions in mm)

Main Data

Continuous Torque (Nm)	320
Intermittent Torque (Nm)	400
Power (at 1000 r.p.m)	48 C.V. / 35 kW
Mounting Position	Right
Pump Rotation	Left Hand
Weight (Kg)	9
PTO internal ratio	1:1,32
Indicative ratio from motor to PTO's output	

Maz 236 1 : 0.900

CTI TF19002P 1211-1

ABER is constantly engaged in improving its products and, therefore, reserves itself the right to modify without any further notice the characteristics shown. The gear boxes are in constant change; therefore, ABER is not to be held responsible for any damage resulting from wrong application or application of outdated material.



ABER - Embraiaçes e Comandos Hidráulicos - A. B. LDA
 Rua Francisco de Almeida, Nº 30 – Vila Nova da Telha – 4470 MAIA - Portugal
 Telephone: +351.22.9438070 Fax: +351.22.9420823 e-mail: aber@aber.pt <http://www.aber.pt>