

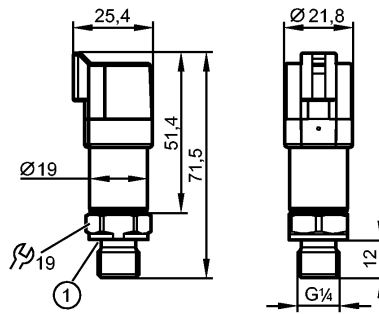


# PU5760

PU-600-SEG14-B-DVG/DE



Pressure sensors



1: Process connection sealing HNBR / DIN 3869



### Product characteristics

Electronic pressure sensor

for mobile applications

DEUTSCH connector DT04-3P

E1 compliant

Process connection: G 1/4 A (according to DIN EN ISO 1179-2)

Analog output

Measuring range: 0...600 bar

### Application

Application

Type of pressure: relative pressure  
Group 2 fluids according to the Pressure Equipment Directive (PED),  
group 1 fluids on request

Pressure rating	[bar]	1500 (static)
Bursting pressure min.	[bar]	2500
Vacuum resistance	[mbar]	-1000
Medium temperature	[°C]	-40...125

### Electrical data

Electrical design		DC
Operating voltage	[V]	16...32 DC
Current consumption	[mA]	< 12
Insulation resistance	[MΩ]	> 100 (500 V DC)
Protection class		III
Reverse polarity protection		yes

### Outputs

Output		Analog output
Output function		0...10 V analog
Short-circuit proof		yes
Overload protection		yes
Min. load resistance	[Ω]	2000

### Measuring / setting range

Measuring range	[bar]	0...600
-----------------	-------	---------

### Accuracy / deviations

Accuracy / deviations  
(in % of the span)

Characteristics deviation \*)

< ± 0.8

Linearity

< ± 0.25 (BFSL) / < ± 0.5 (LS)



# PU5760

PU-600-SEG14-B-DVG/DE

Pressure sensors

Hysteresis	< ± 0.2
Repeatability **)	< ± 0.05
Long-term stability ***)	< ± 0.1
Temperature coefficients (TEMPCO) in the temperature range -40...125° C (in % of the span per 10 K)	
Greatest TEMPCO of the zero point	< ± 0.1 (0...80 °C); < ± 0.2 (-40...0 °C / 80...125 °C)
Greatest TEMPCO of the span	< ± 0.1 (0...80 °C); < ± 0.2 (-40...0 °C / 80...125 °C)

### Reaction times

Step response time analogue output [ms]	2
---	---

### Environment

Ambient temperature [°C]	-40...100
Storage temperature [°C]	-40...100
Protection	IP 67 / IP 69K

### Tests / approvals

Pressure equipment directive	Module A
EMC	Conforms to UN ECE 10 rev. 4 ISO 11452-2 100 V/m DIN EN 61326-1
Shock resistance	DIN EN 60068-2-27 500 g (1 ms)
Vibration resistance	DIN EN 60068-2-6 20 g (10...2000 Hz)
MTTF [Years]	640

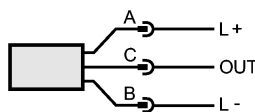
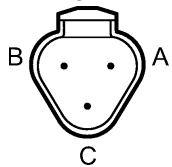
### Mechanical data

Process connection	G ¼ A (according to DIN EN ISO 1179-2)
Process connection sealing	HNBR (to DIN 3869)
Materials (wetted parts)	1.4542 (17-4 PH / 630) <sup>2</sup>
Housing materials	stainless steel (316L / 1.4404); 1.4542 (17-4 PH / 630) <sup>2</sup> ; PPS
Min. pressure cycles	60 millions in the course of the lifetime (at 1.2 times the nominal pressure)
Tightening torque [Nm]	30...50 (recommended tightening torque <sup>1</sup> )
Restrictor element integrated	yes
Weight [kg]	0.061

### Electrical connection

Connection	DEUTSCH connector DT04-3P
Max. cable length [m]	30

### Wiring



OUT: 0...10 V

### Remarks

Remarks	*) incl. drift when overtightened, zero point and span error, non-linearity, hysteresis **) with temperature fluctuations < 10 K ***) in% of the span / 6 months
---------	--



# PU5760

PU-600-SEG14-B-DVG/DE



Pressure sensors

1) Depends on lubrication, seal and pressure rating  
2) Characteristics similar to stainless steel (e.g. 304/1.4301) but higher strength.  
BFSL = Best Fit Straight Line / LS = Limit Value Setting

Pack quantity	[piece]	1
---------------	---------	---