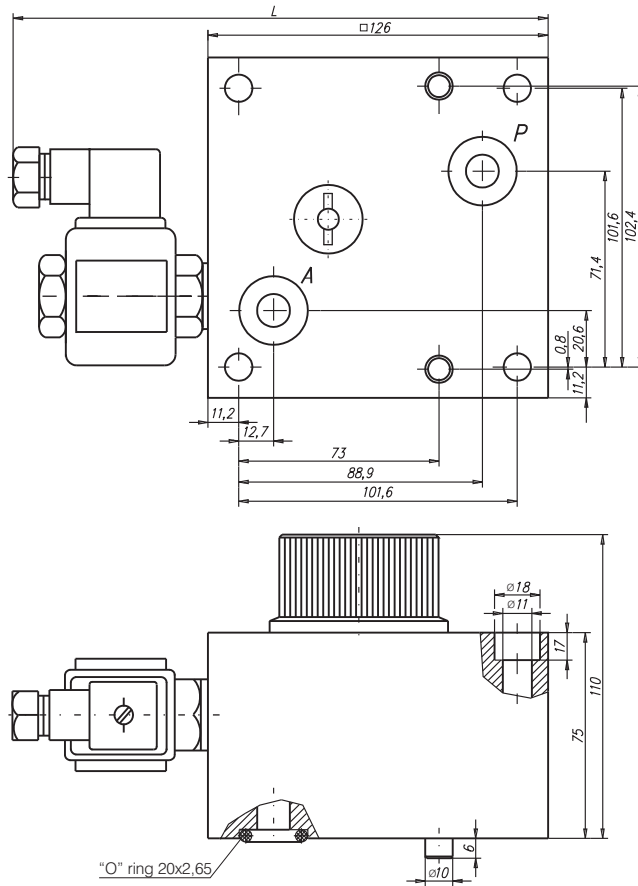


DESCRIPTION

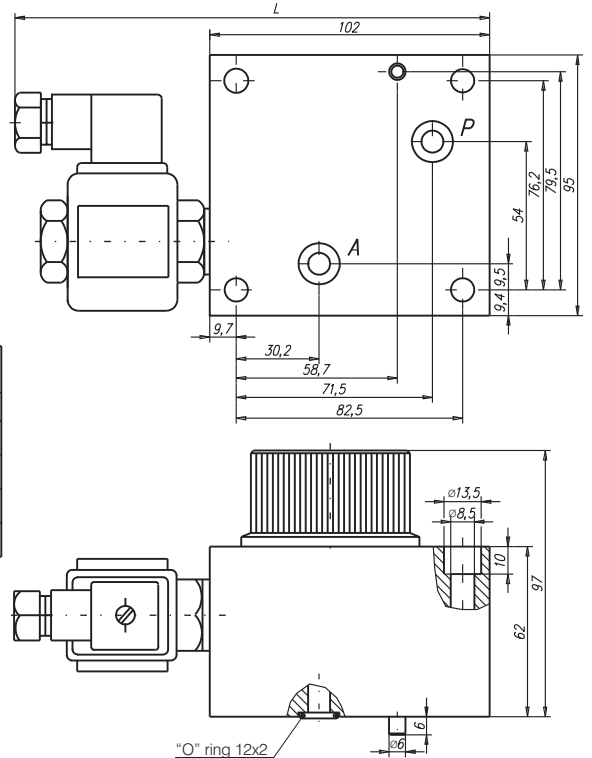
- ✓ Flow control valves for plate mounting- RD.../2...
- ✓ The flow control valves are designed to regulate the flow rate in the hydraulic system, independently of the inlet flow and pressure variations in it.
- ✓ Flow Control Valve with solenoid controlled check valve (channel A or channel B) ensures two different speeds of movement.

DIMENSIONS

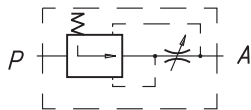
RD16/2...



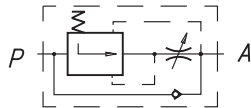
RD10/2...



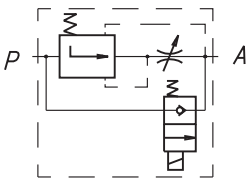
TYPE	Range of regulation	L mm.
	grad.	
RD 10/2	4x360°	102
RD 10/2...	4x360°	175,5
RD 16/2	4x360°	126
RD 16/2...	4x360°	197,5

SYMBOL
ORDERING CODE


RD.../2



RD.../2A



RD.../2...

RD	***	/	2	***
----	-----	---	---	-----

Flow control valve

Nominal bore:

 10mm - **10**

 16mm - **16**

2-way valve

Modifications:

- standard modification - omit
- with build in check valve - **A**
- with build in solenoid check valve : operated voltage-12VDC - **1**
- operated voltage-24VDC - **2**
- operated voltage 110VAC - **3**
- operated voltage 220VAC - **4**

TECHNICAL DATA

Max. Pressure		320 bar
Rated flow ($\Delta p=5$ bar.)	RD10/2...	24 l/min
Rated flow ($\Delta p=8$ bar.)	RD16/2...	80 l/min
Minimum flow	RD10/2...	0,05 l/min
Minimum flow	RD16/2...	0,1 l/min
Working liquid-hydraulic oils with characteristics:		
-viscosity		10...400 cSt
-degree of filtration		0,025 mm
-temperature		-20...+80°C