

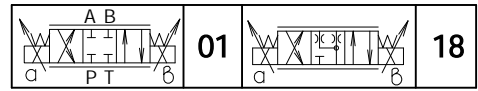
GENERAL DESCRIPTION

List: PDCVC3-1-Oct 2015

The RHP06...-07-F... valve is used to control the speed and direction of hydraulic actuators.

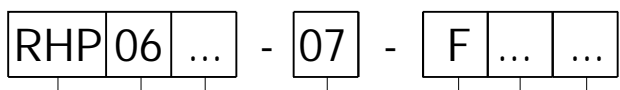


Symbol



- ✓ 4/3- way directional control valves with proportional solenoid operation without feedback
- ✓ Removable coils-quick replacement and rotation in any direction without leakage from the system
- ✓ Manual override option (push button)
- ✓ Mounting surface CETOP3 (NG6)

ORDERING CODE



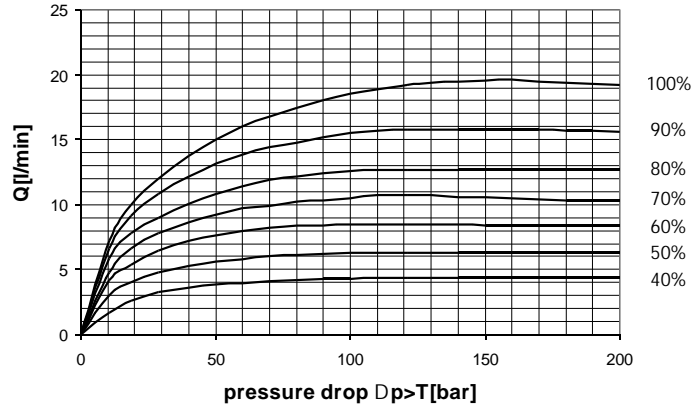
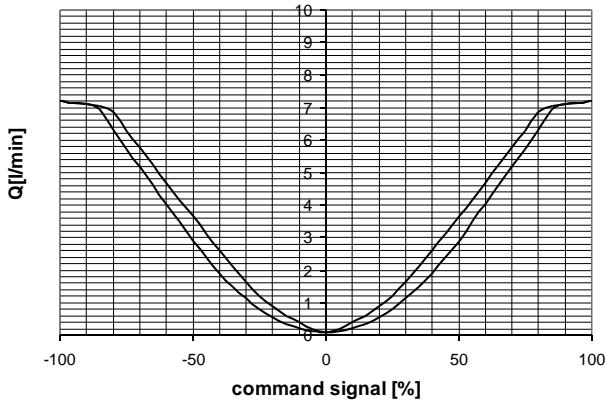
Proportional directional control valve
 Nominal size
 Functional symbol: **01**
 18
 Nominal flow: 7l/min

Climatic realization:
N - normal
T - tropical
 Connectors:
C1 - without connectors
C2 - with connectors without light indicator
C3 - with connectors with light indicator
 Modification

CHARACTERISTICS

Measured at: PWM 170Hz. , $I_{max.} = 1,8A$, $I_{min.} = 0,8A$, $t = 45 + 5^{\circ}C$

% command signal



TECHNICAL DATA
GENERAL

DATA	UNIT	VALUE/RANGE
Installation position		optional , preferably horizontal
Ambient temperature range	°C	-20...+50
Weight double solenoid valve	kg	2,200
Hysteresis	%	< 6
Repeatability	%	±1,5

HYDRAULIC

Max. pressure	port P , A & B port T	MPa MPa	32 16
Rated flow (at Dp 0,5MPa. per metering edge)		l/min	7
Hydraulic fluid-mineral oil: -viscosity -filtration degree to acc. ISO 4406 -temperature		mm ² /s class °C	10...400 18/16/13 -20...80

ELECTRICAL

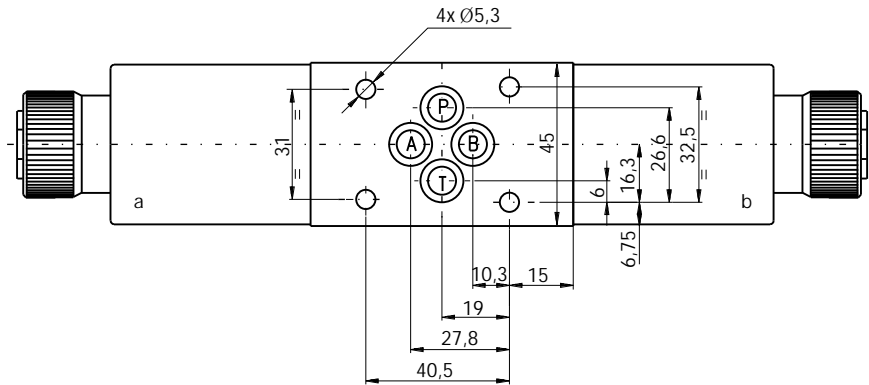
Cyclic duration		%	100
Waterproof			IP65
Heat insulation			H
Coil resistance	cold warm	W	2,2 3
Max current		A	2,5

AMPLIFIER
EDAR 1211-2-25 - Order separately

These digital amplifier EDAR 1211-2-25 is designed to control direct operated proportional directional control valves without feedback - see "List: EDAR1211-2-25" and "OI:EDAR1211-...".

DIMENSIONS

All dimensions are shown in mm.



Gray or white plug connectors for solenoid "a", black connectors for solenoid "b" and transparent for solenoids with light indicator.

Standard fixing bolts M5x45 (10,9 class recommended). Torque 6...8 Nm.

