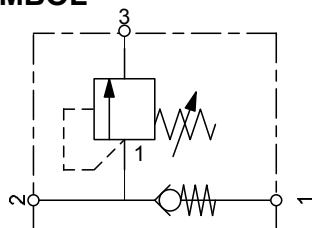
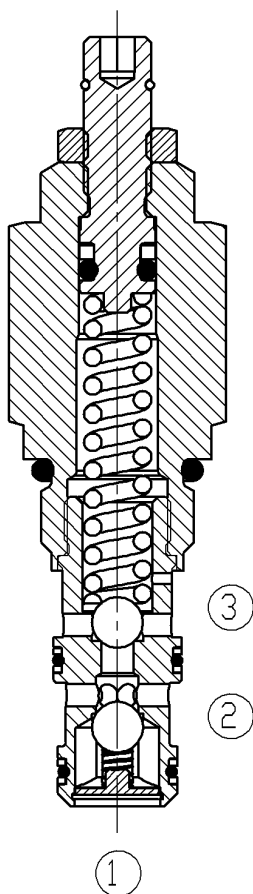


SYMBOL



up to 15 l/min
up to 350 bar

FUNCTION



The check valve RV06B is a direct acting, spring loaded ball valve with integrated pressure relief valve.

If there is no flow the spring holds the ball in closed position and blocks therefore flow from port 1 to 2. The check valve opens, if the pressure at port 2 is higher than the pressure at port 1 including the spring force. If the pressure rises in the inlet pipe over the pre-adjusted pressure the relief valve opens to tank. Any pressure at port 3 is additive to the relief pressure setting.

Check Valve

Ball type

with pressure relief function

Cartridge-Minivalve – 350 bar

RV06B-01

UNF

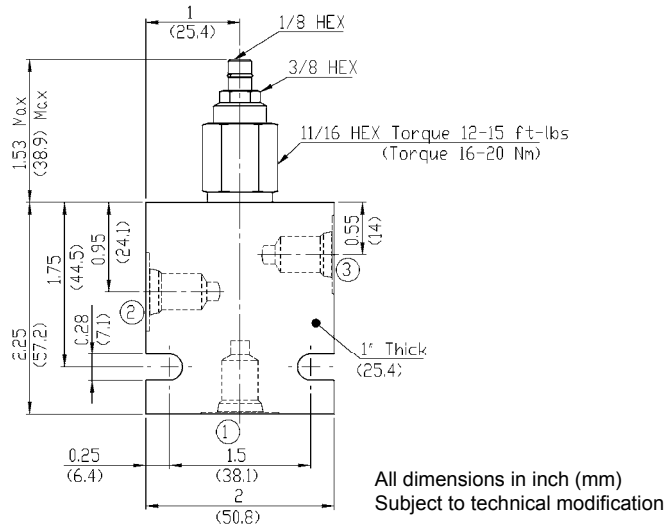
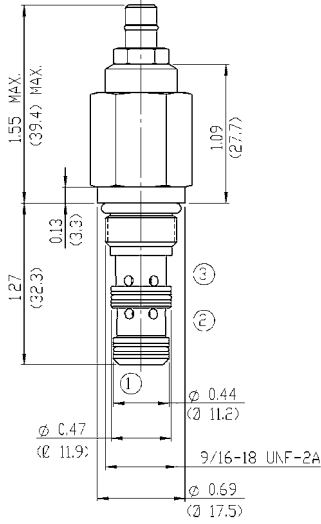
FEATURES

- All exposed surfaces corrosion-proof
- All valve parts made of high-strength steel with hardened and ground components to ensure minimal wear and extend service life
- Combination of two functions in one valve
- Pressure ranges up to 350 bar
- adjustable under full pressure
- fast closing
- protecting the system and the pump before pressure peaks

SPECIFICATIONS

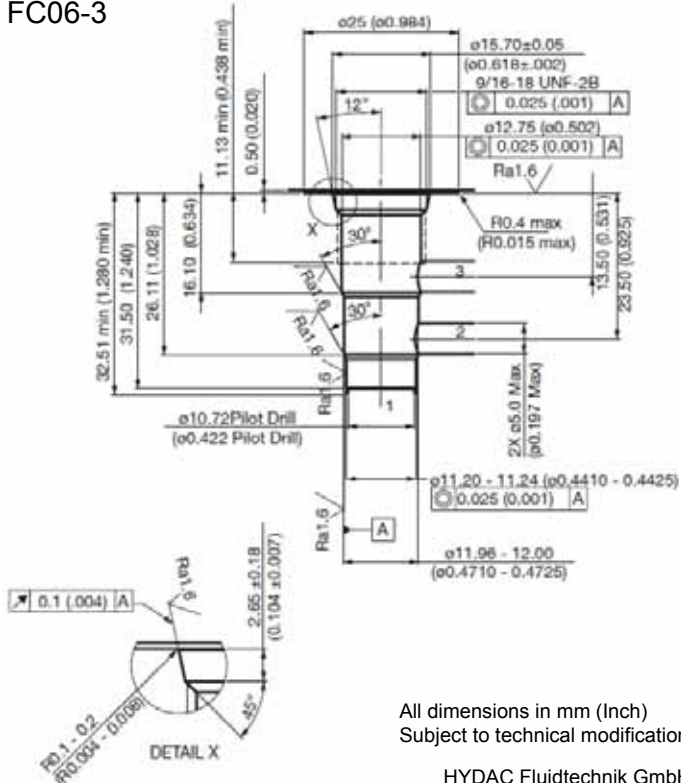
Operating pressure:	max. 350 bar
Nominal flow:	max. 15 l/min
Pressure ranges (DB):	0 up to 125 bar
	0 up to 210 bar
	0 up to 350 bar
	0,35 bar
Cracking pressure (Checkfunction):	leakage-free, < max. 0,35 cm ³ /min at 75% nominal pressure
Leakage:	Min. – 30°C up to max. +100° C
Temperature range of operating fluid:	Min. – 30°C up to max. + 60° C
Ambient temperature range:	Hydraulic fluid to DIN 51524 T1 + T2
Fluid:	min. 7,4 mm ² /s up to max. 420 mm ² /s
Viscosity range:	Class 21 / 19 /16 according to ISO 4406 or cleaner
Filtration:	no orientation restrictions
Installation:	Valve body: steel with hardened work surfaces
Materials:	Ball: hardened steel
	Seals: NBR (Standard) FKM (optional, temperature range -20°C up to +120°C)
Cavity:	Back-up rings: TPE-E
	FC06-3
Weight:	0,027 kg

DIMENSIONS



All dimensions in inch (mm)
Subject to technical modification

Cavity FC06-3



All dimensions in mm (Inch)
Subject to technical modification

Tools

Code	Part No.
Twist drill	2582050
Countersink	2582051



HYDAC Fluidtechnik GmbH
Justus-von-Liebig-Str. 5
66280 Sulzbach / Saar
Tel.: 06897 / 509-0
Fax: 06897 / 509-598
Email: flutec@hydac.com

MODEL CODE

RV06B - 01 - C - N - 300 V 100

Basic model
Check valve, direct acting

Type
01 = Standard

Body & ports
C = cartridge only
*versions in line bodies on request

Seals
N = NBR (Standard)
V = FKM (optional)

Pressure ranges
180 = 0 up to 125 bar (3000 PSI)
300 = 0 up to 210 bar (3000 PSI)
500 = 0 up to 350 bar (5000 PSI)

Adjustment option
V = adjustable by tool

Setting
none = 50% of max. Pressure
100 = 69 bar (1000 PSI) – factory preset pressure

Standard models

Name	Part No.
RV06B-01-C-N-300V	2610236
RV06B-01-C-N-500V	2610164

Other types on request

*Line bodies

Code	Part No.	Material	Ports	Pressure
FH063-SB2	3740562	steel, zinc plated	G1/4	420 bar
FH063-AB2	3741286	Alu, anodized	G1/4	245 bar

other line bodies on request

Seal kits

Code	Part No.
Seal kit-NBR	2610186
Seal kit-FKM	2610187

PERFORMANCE

Measured at 28 mm²/s and T oil = 38°C

