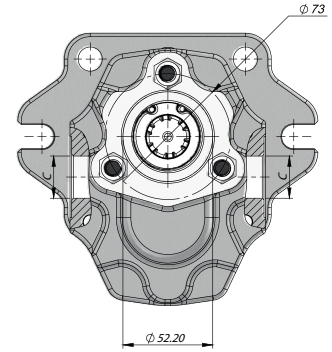
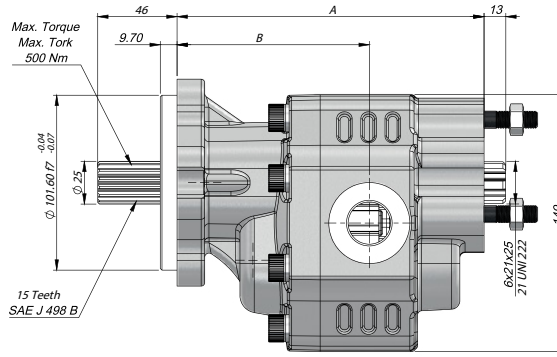
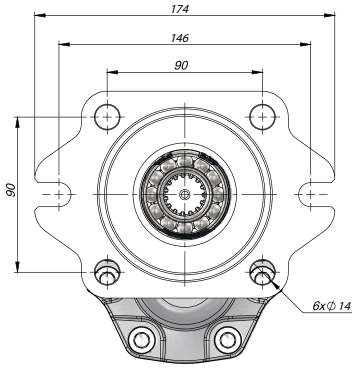




|  |                          |               |                  |
|--|--------------------------|---------------|------------------|
| Giriş Basıncı   Inlet Pressure                         |                          | 0.3÷ 2 bar    |                  |
| Çalışma Viskozite Seviyesi   Operating Viscosity Range |                          | -12:100 cSt   |                  |
| Sıvı Sıcaklığı   Fluid Temperature                     |                          | -40 °C+145 °C |                  |
| Çalışma Basıncı   Working Pressure                     | Kirlilik   Contamination |               | Filtre   Filter  |
|  | NAS 1638                 | ISO 4406      | $\beta_x=75$     |
| $\geq 200$ bar   | 11                       | 20/17         | 25 $\mu\text{m}$ |
| $\leq 200$ bar   | 12                       | 21/18         | 40 $\mu\text{m}$ |



| Kod Code     |              |              | İletim Hacmi Displacement | Maks.Sürekli Basıncı Max.Continuous Pressure | Min. Hız Min.Speed | Maks.Sürekli Hız Max.Continuous Speed | A     | B     | Giriş Inlet | Çıkış Outlet |
|--------------|--------------|--------------|---------------------------|--|--------------------|---------------------------------------|-------|-------|-------------|--------------|
| Sol / Left   | Sağ / Right  | BD           | (cm <sup>3</sup> /rev)    | (100%)(BAR)                                  | (RPM)              | (RPM)                                 | (mm)  | (mm)  | C           | D            |
| GT30017BF511 | GT30017BF521 | GT30017BF531 | 17                        | 300  | 300                | 2600                                  | 182,5 | 123,5 | G1/2"       | G1/2"        |
| GT30027BF511 | GT30027BF521 | GT30027BF531 | 27                        | 290  |                    |                                       | 188,5 | 126,5 |             |              |
| GT30034BF511 | GT30034BF521 | GT30034BF531 | 34                        | 285  |                    | 2300                                  | 193,5 | 128,5 | G3/4"       | G3/4"        |
| GT30036BF511 | GT30036BF521 | GT30036BF531 | 36                        |  |                    |                                       | 195   | 128,5 |             |              |
| GT30038BF511 | GT30038BF521 | GT30038BF531 | 38                        |  |                    |                                       | 193,5 | 128,5 |             |              |
| GT30043BF511 | GT30043BF521 | GT30043BF531 | 43                        | 280  |                    | 2100                                  | 199,5 | 133   | G1"         | G1"          |
| GT30051BF511 | GT30051BF521 | GT30051BF531 | 51                        | 230  |                    |                                       | 204,5 | 134,5 |             |              |
| GT30061BF511 | GT30061BF521 | GT30061BF531 | 61                        | 225  |                    | 1800                                  | 212,5 | 138,5 | G1 1/4"     | G1 1/4"      |
| GT30073BF511 | GT30073BF521 | GT30073BF531 | 73                        | 215  |                    |                                       | 217,5 | 146,5 |             |              |
| GT30082BF511 | GT30082BF521 | GT30082BF531 | 82                        | 200  |                    |                                       | 223,5 | 146   |             |              |
| GT30100BF511 | GT30100BF521 | GT30100BF531 | 100                       | 190  |                    | 1600                                  | 236,5 | 160   | G1 1/4"     | G1 1/4"      |
| GT30125BF511 | GT30125BF521 | GT30125BF531 | 125                       | 170  |                    |                                       | 252,5 | 164   |             |              |

\*The values in the table refer to unidirectional pumps. Reversible pump max pressures are 10% lower than those shown in table. For different working conditions please consult our sales department.