

SAP 50 GENERAL INFORMATION

Technical data

Air breathers & Filler plugs

Air breathers

Flow rates up to 200 l/min

SAP50 is a range of compact plastic air breathers for protection of the tank against the solid contamination contained into the air. They are directly fitted on the tank.

Available features:

- Male threaded connections up to 3/4", for a maximum flow rate of 200 l/min
- Fine cellulose filtration, to get a good cleanliness level into the reservoir

Common applications:

- Compact hydraulic systems
- Compact mobile machines
- Industrial equipment

Flow rate Δp 0.02 bar

	Flow rate [l/min]	
	Filtration rating 03	10
SAP50	180	204

Materials

- Cover/Connection: Polyamide
- Filter element: Resin impregnated paper, Polyurethane
- Pressurization valve: Polyamide, Galvanized steel, NBR
- Seals: NBR

Temperature

From -25 °C to +100 °C

Weight

SAP 50 0.40 kg

Quantity

10 pcs/pack



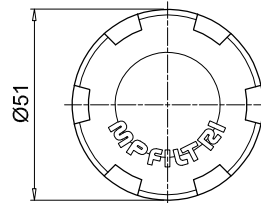
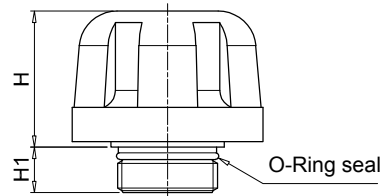
Designation & Ordering code

COMPLETE AIR FILTER

Serie	Configuration example :							
SAP50	SAP50	G3	L03	A	1	0	P01	
Connections								
G1	G 1/4"							
G2	G 3/8"							
G3	G 1/2"							
G4	G 3/4"							
G9	SAE 6 - 9/16" - 18 UNF							
G10	SAE 12 - 1 1/16" - 12 UN							
Filtration rating								
L03	Resin impregnated paper	3 µm						
L10	Polyurethane	10 µm						
Seals								
A	NBR							
Valve		Connection						
		G1	G2	G3	G4	G9	G10	
0	Without valve	•	•	•	•	•	•	
1	0.5 bar pressurization valve		•	•	•		•	
Basket								
0	Without basket							
Execution								
P01 MP Filtri standard								
Pxx Customized								

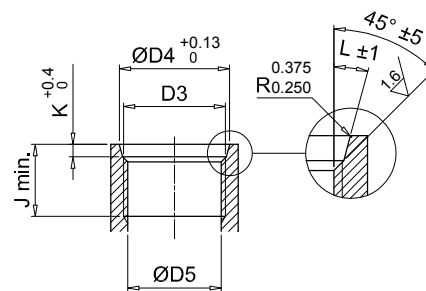
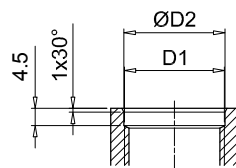
SAP50

Threaded connection



Housing on the tank for connections BPS

Housing on the tank for connections SAE



Connections	H [mm]	H1 [mm]	D1 [mm]	$\text{ØD}2$ [mm]	D3 [mm]	$\text{ØD}4$ [mm]	$\text{ØD}5$ [mm]	J min. [mm]	K [mm]	L
G1	36	12	G 1/4"	13.5	-	-	-	-	-	-
G2	36	12	G 3/8"	17	-	-	-	-	-	-
G3	36	12	G 1/2"	21.5	-	-	-	-	-	-
G4	36	12	G 3/4"	26.7	-	-	-	-	-	-
G9	36	12	-	-	SAE 6 - 9/16" - 18 UNF	15.6	13.081 12.751	12.7	2.5	12°
G10	35	14.5	-	-	SAE 12 - 1 1/16" - 12 UN	29.2	24.978 24.696	19	3.3	15°

Technical data

Air breathers & Filler plugs

Polyamide air breather filter Flow rate up to 400 l/min

SAP is a range of plastic air breathers for protection of the tank against the solid contamination contained into the air. They are directly fitted on the tank.

Available features:

- Male threaded connections up to 3/4", for a maximum flow rate of 400 l/min
- Replaceable filter element
- Fine cellulose filtration, to get a good cleanliness level into the reservoir
- Polyester media is an option for heavy environmental conditions (high humidity, sand ...)

Common applications:

- Mobile machines (construction and agriculture machines)
- Industrial equipment

Flow rate Δp 0.02 bar

	Flow rate [l/min]	
	Filtration rating	L03
SAP054	200	250
SAP075	350	400

Materials

- Cover: Polyamide
- Connection: Polyamide
- Filter element: Resin impregnated paper

Temperature

From -25 °C to +100 °C

Weight

SAP 054 - 0.06 kg
SAP 075 - 0.15 kg



Designation & Ordering code

COMPLETE AIR FILTER

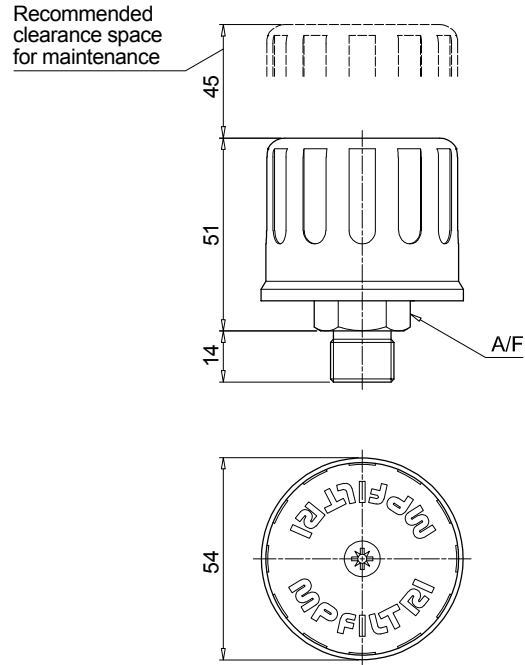
Series and size	Configuration example : SAP054 G2 L10 A P01				
SAP054					
SAP075					
Connections	SAP054	SAP075			
G1	G 3/8"	G 1/2"			
G2	G 1/2"	G 3/4"			
Filtration rating					
L03	Resin impregnated paper	3 µm			
L10	Resin impregnated paper	10 µm			
Seals					
A	NBR				
			Execution		
			P01	MP Filtri standard	
			Pxx	Customized	

FILTER ELEMENT

Filter element series and size	Configuration example : A4 L10 P01			
A4	SAP054			
A7	SAP075			
Filtration rating				
L03	Resin impregnated paper	3 µm		
L10	Resin impregnated paper	10 µm		
			Execution	
			P01	MP Filtri standard
			Pxx	Customized

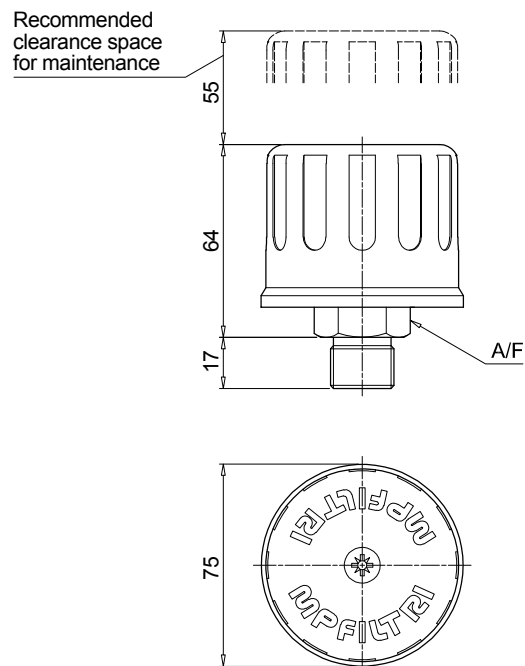
SAP054

Connections	A/F [mm]
G1	22
G2	27



SAP075

Connections	A/F [mm]
G1	27
G2	32



Technical data

Air breathers & Filler plugs

Nylon oil filler and air breather filler cap

Flow rate up to 3000 l/min

SAP115 is a range of plastic large air breathers for protection of the tank against the solid contamination contained into the air. They are usually directly fitted on the tank.

Available features:

- Male threaded connections up to 1 1/2", for a maximum flow rate of 3000 l/min.
- Replaceable filter element.
- Fine cellulose and microfibre filtration, to get a good cleanliness level into the reservoir. Polyester media is an option for heavy environmental conditions (High humidity, sand ...)
- Visual clogging indicator
- Antisplash, to avoid fluid coming out through the air breather due to sloshing
- Filling basket, to hold the coarse contamination contained into the fluid and to diffuse the fluid flow into the tank

Common applications:

- Hydraulic systems
- Mobile machines
- Industrial equipment

Flow rate Δp 0.02 bar

	Flow rate [l/min]	
	Filtration rating A03	L10
SAP115 length 1 - G1"	1830	2170
SAP115 length 2 - G1"	2800	2800
SAP115 length 1 - G1 1/2"	1995	2330
SAP115 length 2 - G1 1/2"	3000	3000

Materials

- Cover/flange: Nylon
- Filter element: Microfibre, Resin impregnated paper
- Connection: Nylon
- Seals: NBR, FPM

Clogging indicators

- Manual reset
- Set pressure 0.062 bar +/- 10%

Temperature

From -25 °C to +100 °C

Weight	Length 1	Length 2
SAP 115	0.41 kg	0.525 kg



Designation & Ordering code

COMPLETE BREATHER PLUG - SAP115

Series and size	Configuration example:	SAP115	2	A	A03	A	1	A	P01
SAP115 Threaded connection									
Length									
1 2									
Connection to the tank									
A Thread G 1"									
C Thread G 1 1/2"									
Filtration rating									
A03 Inorganic microfiber 3 µm									
L10 Resin impregnated paper 10 µm									
Seals									
A NBR									
Version									
0 Standard									
1 With anti-splash feature									
Clogging indicator									
A Without indicator									
B With visual clogging indicator									
Execution									
P01 MP Filtri standard									
Pxx Customized									

FILTER ELEMENT

Filter element series and size	Configuration example:	A115	2	A03	P01
A115					
Length					
1 2					
Filtration rating					
A03 Inorganic microfiber 3 µm					
L10 Resin impregnated paper 10 µm					
Execution					
P01 MP Filtri standard					
Pxx Customized					

SAP115							
Length	Connection	H [mm]	H1 [mm]	H2 [mm]	H3 [mm]	H4 [mm]	A/F [mm]
1	A	106	18	55	17	42	41
	C	111	23	55	22	42	55
2	A	170	18	80	17	106	41
	C	175	23	80	22	106	55

