

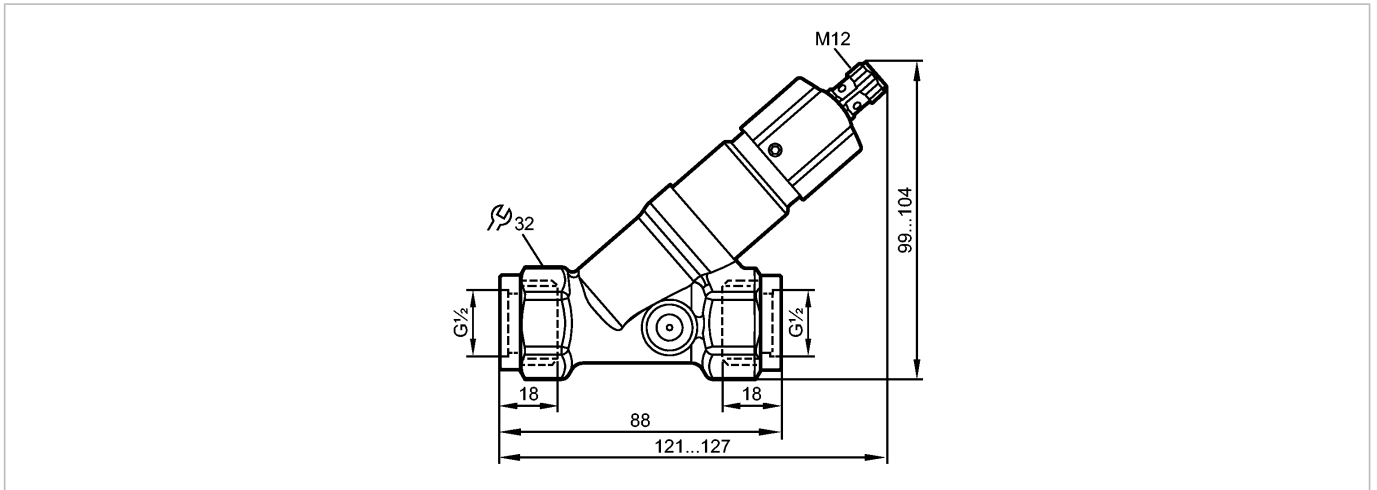


SBG334

SBG34BF0BPKG/US



Flow sensors



Product characteristics

Flow monitor

with non-return valve

Process connection: G 1/2

Setting range: 2...50 l/min

Application

Application	liquids (water, glycol solutions, oils, coolants)
Pressure rating [bar]	40
Medium temperature [°C]	0...85

Electrical data

Electrical design	DC PNP
Operating voltage [V]	10...30 DC; to SELV/PELV
Current consumption [mA]	< 15
Protection class	III
Reverse polarity protection	yes

Outputs

Output function	normally open
Current rating [mA]	100
Voltage drop [V]	< 2.5
Short-circuit protection	yes
Overload protection	yes

Measuring / setting range

Setting range [l/min]	2...50
-----------------------	--------

Accuracy / deviations

Hysteresis [l/min]	1...3
Repeatability [% of the final value]	1
Accuracy [% of the final value]	± 5



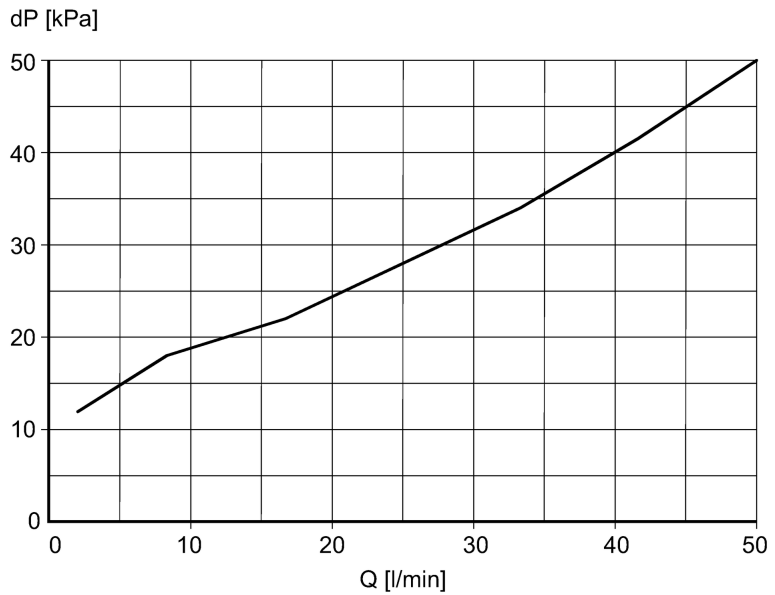
SBG334

SBG34BF0BPKG/US



Flow sensors

Pressure loss (dP) / flow rate (Q)



Reaction times

Response time [s] < 0.01

Environment

Ambient temperature [°C] 0...60

Storage temperature [°C] -15...80

Protection IP 65 / IP 67

Tests / approvals

EMC DIN EN 61000-6-2
DIN EN 61000-6-3

Shock resistance DIN EN 60068-2-27 20 g (11 ms)

Vibration resistance DIN EN 60068-2-6 5 g (10...2000 Hz)

MTTF [Years] 3318

Mechanical data

Process connection G ½

Materials (wetted parts) stainless steel 301 / 1.4310; stainless steel (304S15); PBT; brass chemically nickel-plated; PP; PPS; Polyolefin; O-ring: FKM

Housing materials brass chemically nickel-plated; PPS; aluminum anodized; PA

Switching cycles min. 10 million

Weight [kg] 0.507

Displays / operating elements

Output status indication LED yellow (4 x 90°)

Electrical connection

Connection M12 connector

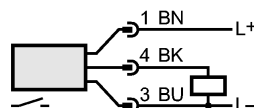
Wiring

Core colors

BK black

BN brown

BU blue





SBG334

SBG34BF0BPKG/US



Flow sensors

Colours to DIN EN 60947-5-2

Accessories

Accessories (included)	Allen key
------------------------	-----------

Remarks

Remarks	Attention: Do not turn the cap beyond the maximum value of the setting range. All data refer to water (20 °C).
---------	---

Pack quantity	[piece]	1
---------------	---------	---