

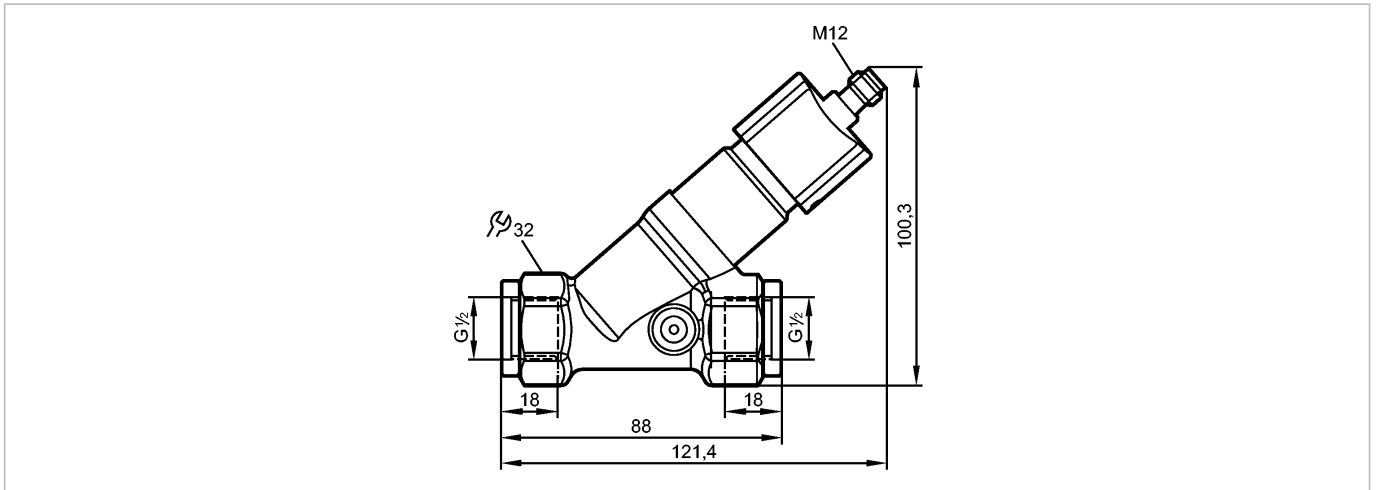


SBG433

SBG12HF010KG/US



Flow sensors



Product characteristics

Flow transmitter

with non-return valve

Process connection: G 1/2

Analog output

Measuring range: 1...25 l/min

Application

Application

liquids (water, glycol solutions, oils, coolants)

Pressure rating

[bar]

40

Medium temperature

[°C]

-10...100

Electrical data

Electrical design

DC

Operating voltage

[V]

18...32 DC; to SELV/PELV

Current consumption

[mA]

< 35

Protection class

III

Reverse polarity protection

yes

Outputs

Output function

analog

Short-circuit protection

yes

Overload protection

yes

Analog output

4...20 mA

Max. load

[Ω]

500

Measuring / setting range

Measuring range

[l/min]

1...25

Accuracy / deviations

Repeatability

[% of the final value]

1

Accuracy

[% of the final value]

± 5



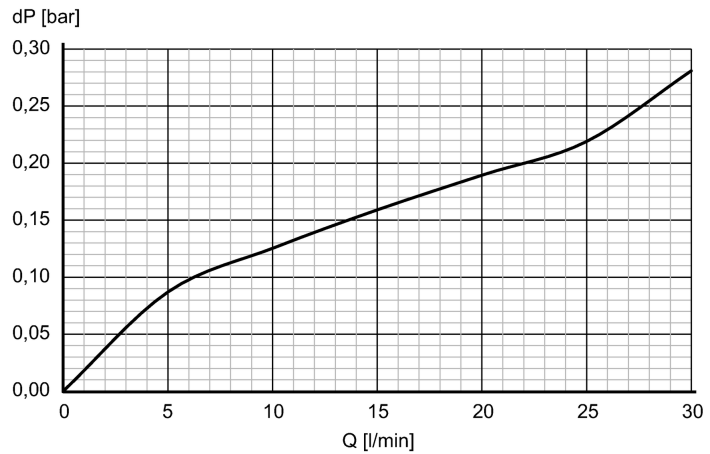
SBG433

SBG12HF010KG/US



Flow sensors

Pressure loss (dP) / flow rate (Q)



Reaction times

Response time [s] < 0.01

Environment

Ambient temperature [°C] 0...60

Storage temperature [°C] -15...80

Protection IP 65 / IP 67

Tests / approvals

EMC DIN EN 61000-6-2
DIN EN 61000-6-3

Shock resistance DIN EN 60068-2-27 20 g (11 ms)

Vibration resistance DIN EN 60068-2-6 5 g (10...2000 Hz)

Mechanical data

Process connection G 1/2

Materials (wetted parts) stainless steel 316 / 1.4401; brass; brass chemically nickel-plated; PP; PPS; O-ring: FKM

Housing materials brass chemically nickel-plated; PP; stainless steel 316L / 1.4404; aluminum anodized; PA

Switching cycles min. 10 million

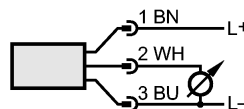
Weight [kg] 0.542

Electrical connection

Connection M12 connector

Wiring

Core colors
BN brown
BU blue
WH white



Colours to DIN EN 60947-5-2

Remarks

Remarks Use of 200 micron filtration is recommended.
All data refer to water (20 °C).

Pack quantity [piece] 1