

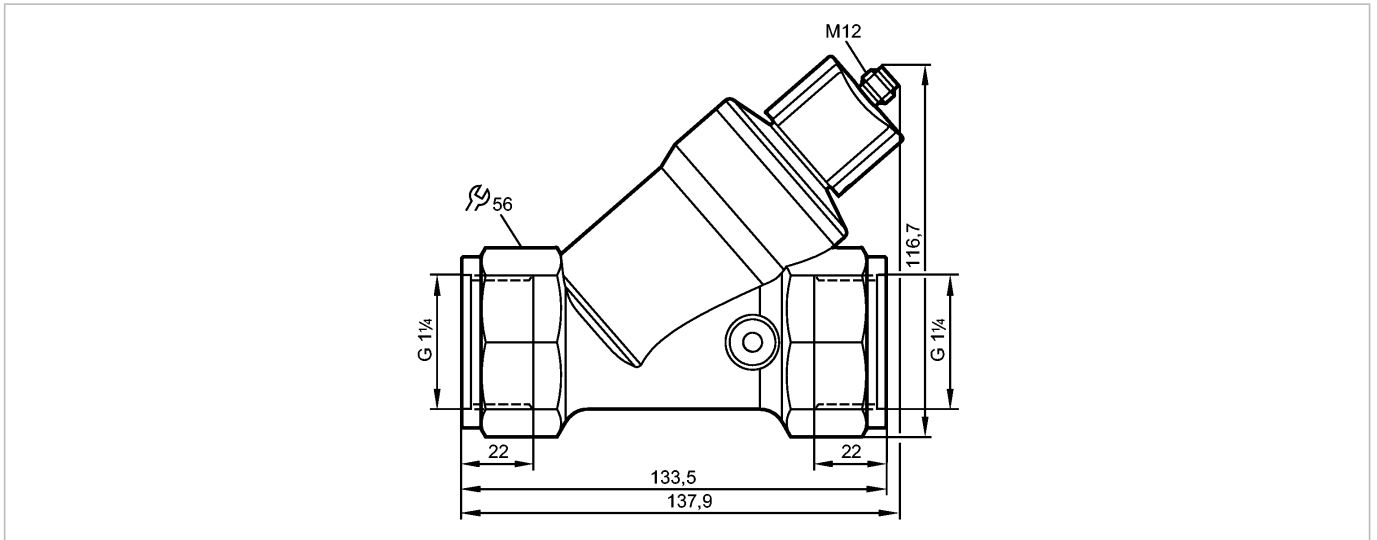


SBG457

SBG54HF010KG/US



Flow sensors



Product characteristics

Flow transmitter

with non-return valve

Process connection: G 1 1/4

Analog output

Measuring range: 8...200 l/min

Application

Application: liquids (water, glycol solutions, oils, coolants)

Pressure rating [bar]: 25

Medium temperature [°C]: -10...100

Electrical data

Electrical design: DC

Operating voltage [V]: 18...32 DC; to SELV/PELV

Current consumption [mA]: < 35

Protection class: III

Reverse polarity protection: yes

Outputs

Output function: analog

Short-circuit protection: yes

Overload protection: yes

Analog output: 4...20 mA

Max. load [Ω]: 500

Measuring / setting range

Measuring range [l/min]: 8...200

Accuracy / deviations

Repeatability [% of the final value]: 1

Accuracy [% of the final value]: ± 5



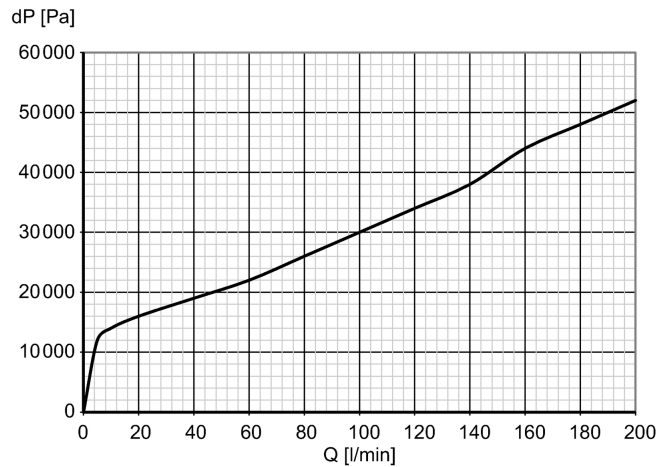
SBG457

SBG54HF010KG/US



Flow sensors

Pressure loss (dP) / flow rate (Q)



Reaction times

Response time	[s]	< 0.01
---------------	-----	--------

Environment

Ambient temperature	[°C]	0...60
Storage temperature	[°C]	-15...80
Protection		IP 65 / IP 67

Tests / approvals

EMC	DIN EN 61000-6-2 DIN EN 61000-6-3	
Shock resistance	DIN EN 60068-2-27	20 g (11 ms)
Vibration resistance	DIN EN 60068-2-6	5 g (10...2000 Hz)

Mechanical data

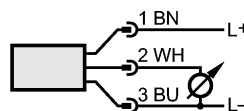
Process connection		G 1¼
Materials (wetted parts)	stainless steel 316 / 1.4401; brass; brass chemically nickel-plated; PP; PPS; O-ring: FKM	
Housing materials	brass chemically nickel-plated; PP; stainless steel 316L / 1.4404; aluminum anodized; PA	
Switching cycles min.		10 million
Weight	[kg]	1.545

Electrical connection

Connection	M12 connector
------------	---------------

Wiring

Core colors
 BN brown
 BU blue
 WH white



Colours to DIN EN 60947-5-2

Remarks

Remarks	Use of 200 micron filtration is recommended. All data refer to water (20 °C).
---------	--

Pack quantity	[piece]	1
---------------	---------	---