

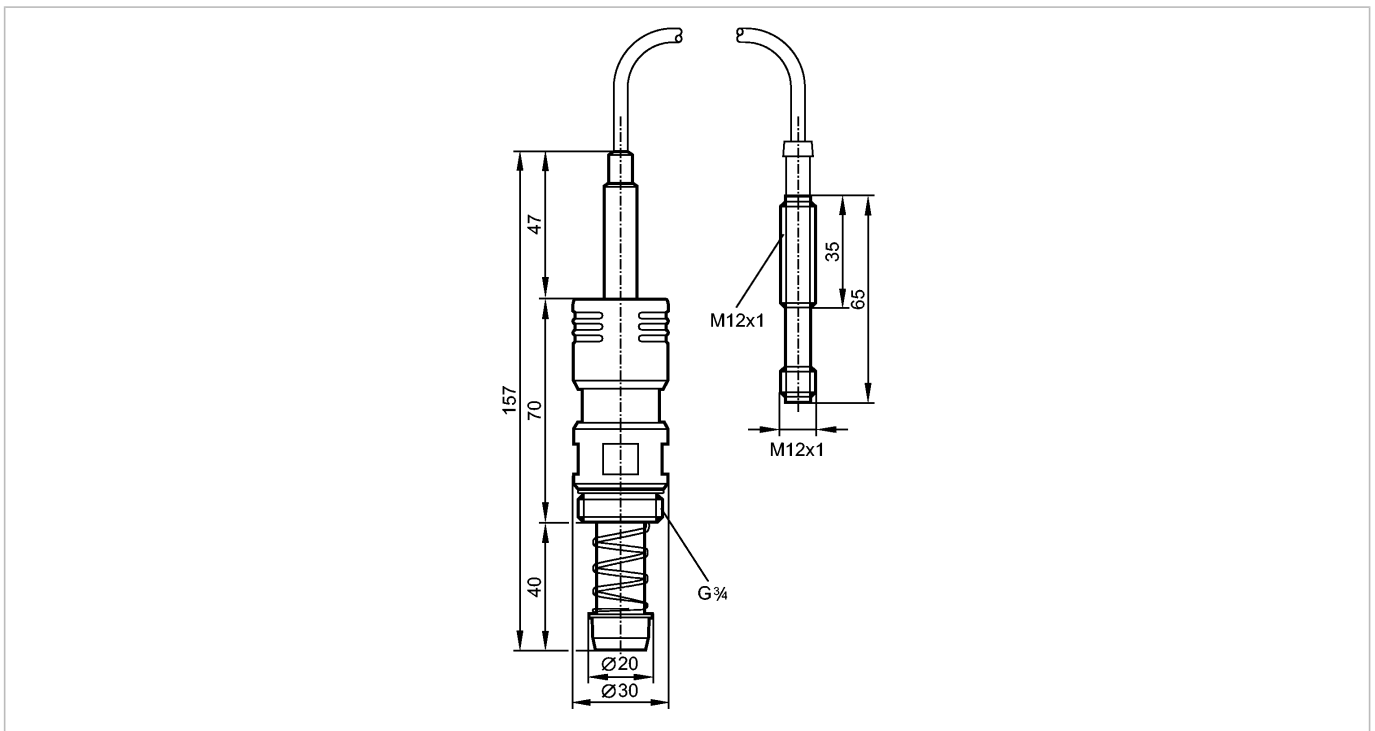


# SBM613

SBM34XKX10KG/O/US



Flow sensors



## Product characteristics

Flow transmitter

Measurement insert

Process connection: G 3/4

Analog output

Measuring range: 0.3...25 l/min

## Application

Application	liquids (water, glycol solutions)	
Pressure rating [bar]	15; at maximum medium temperature; 25 bar at temperatures up to 85 °C	
Medium temperature [°C]	10...180	

## Electrical data

Electrical design	DC	
Operating voltage [V]	24 DC (-15% / +10%); to SELV/PELV	
Current consumption [mA]	30	
Protection class	III	
Reverse polarity protection	yes	

## Outputs

Output function	analog	
Short-circuit protection	yes	
Overload protection	yes	
Analog output	4...20 mA	
Max. load [Ω]	500	

## Measuring / setting range

Measuring range [l/min]	0.3...25	
-------------------------	----------	--

## Accuracy / deviations

Repeatability [% of the final value]	1	
--------------------------------------	---	--



# SBM613

SBM34XKX10KG/O/US



Flow sensors

Accuracy [% of the final value] ± 5

### Reaction times

Response time [s] < 0.01

### Environment

Ambient temperature [°C] 0...60

Storage temperature [°C] -15...80

Protection IP 65 / IP 67

### Tests / approvals

EMC DIN EN 61000-6-2  
DIN EN 61000-6-3

Shock resistance DIN EN 60068-2-27 20 g (11 ms)

Vibration resistance DIN EN 60068-2-6 5 g (10...2000 Hz)

MTTF [Years] 1380

### Mechanical data

Process connection G 3/4

Materials (wetted parts) stainless steel 316 / 1.4401; brass; PPS; O-ring: FKM

Housing materials PPS; copper alloy; aluminum anodized; TPE-E; silicone; PA

Switching cycles min. 10 million

Tightening torque [Nm] 15

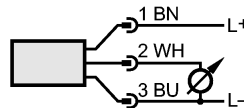
Weight [kg] 0.218

### Electrical connection

Connection silicone cable / 0.3 m; with M12 connector

#### Wiring

Core colors  
BN brown  
BU blue  
WH white



Colours to DIN EN 60947-5-2

### Accessories

Accessories (included) Allen key

### Remarks

Remarks All data refer to water (20 °C).  
Use of 200 micron filtration is recommended.

Pack quantity [piece] 1