

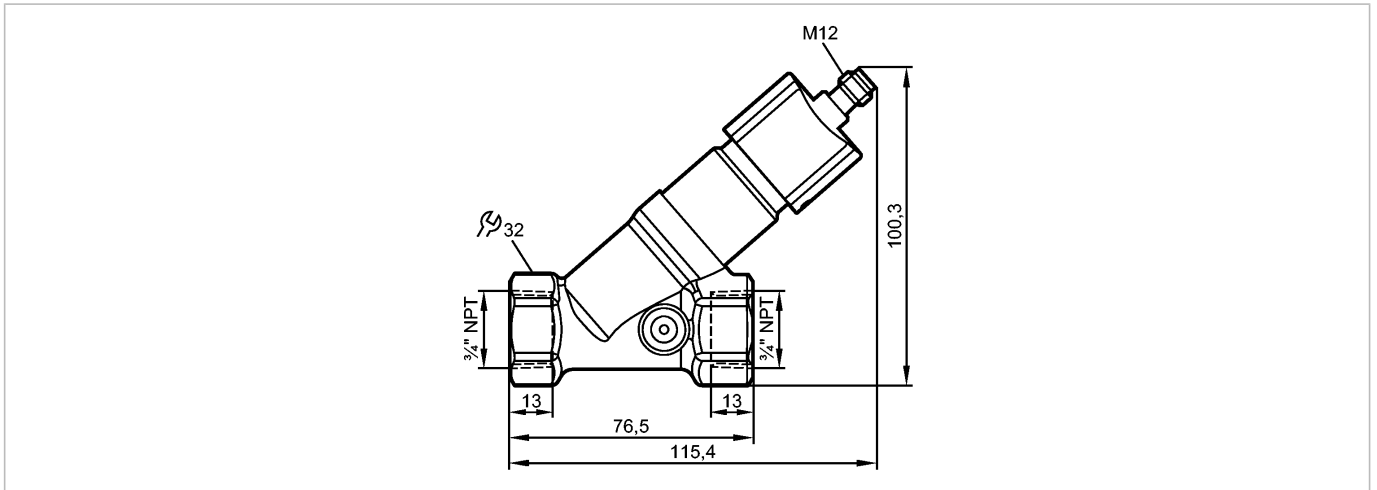


# SBN432

SBN34HF010KG/US



Flow sensors



### Product characteristics

Flow transmitter

with non-return valve

Process connection: 3/4" NPT

Analog output

Measuring range: 0.2...4 gpm

### Application

Application

liquids (water, glycol solutions, oils, coolants)

Pressure rating

[bar]

40

Medium temperature

[°C]

-10...100

### Electrical data

Electrical design

DC

Operating voltage

[V]

18...32 DC; to SELV/PELV

Current consumption

[mA]

< 35

Protection class

III

Reverse polarity protection

yes

### Outputs

Output function

analog

Short-circuit protection

yes

Overload protection

yes

Analog output

4...20 mA

Max. load

[Ω]

500

### Measuring / setting range

Measuring range

[gpm]

0.2...4

### Accuracy / deviations

Repeatability

[% of the final value]

1

Accuracy

[% of the final value]

± 5



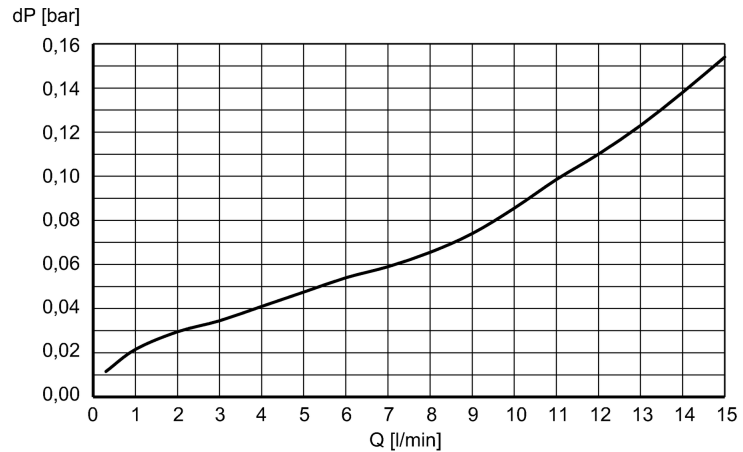
# SBN432

SBN34HF010KG/US



Flow sensors

Pressure loss (dP) / flow rate (Q)



### Reaction times

Response time [s] < 0.01

### Environment

Ambient temperature [°C] 0...60

Storage temperature [°C] -15...80

Protection IP 65 / IP 67

### Tests / approvals

EMC DIN EN 61000-6-2  
DIN EN 61000-6-3

Shock resistance DIN EN 60068-2-27 20 g (11 ms)

Vibration resistance DIN EN 60068-2-6 5 g (10...2000 Hz)

### Mechanical data

Process connection 3/4" NPT

Materials (wetted parts) stainless steel 316 / 1.4401; brass; brass chemically nickel-plated; PP; PPS; O-ring: FKM

Housing materials brass chemically nickel-plated; PP; stainless steel 316L / 1.4404; aluminum anodized; PA

Switching cycles min. 10 million

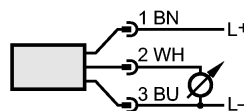
Weight [kg] 0.477

### Electrical connection

Connection M12 connector

### Wiring

Core colors  
BN brown  
BU blue  
WH white



Colours to DIN EN 60947-5-2

### Remarks

Remarks Use of 200 micron filtration is recommended.  
All data refer to water (20 °C).

Pack quantity [piece] 1