

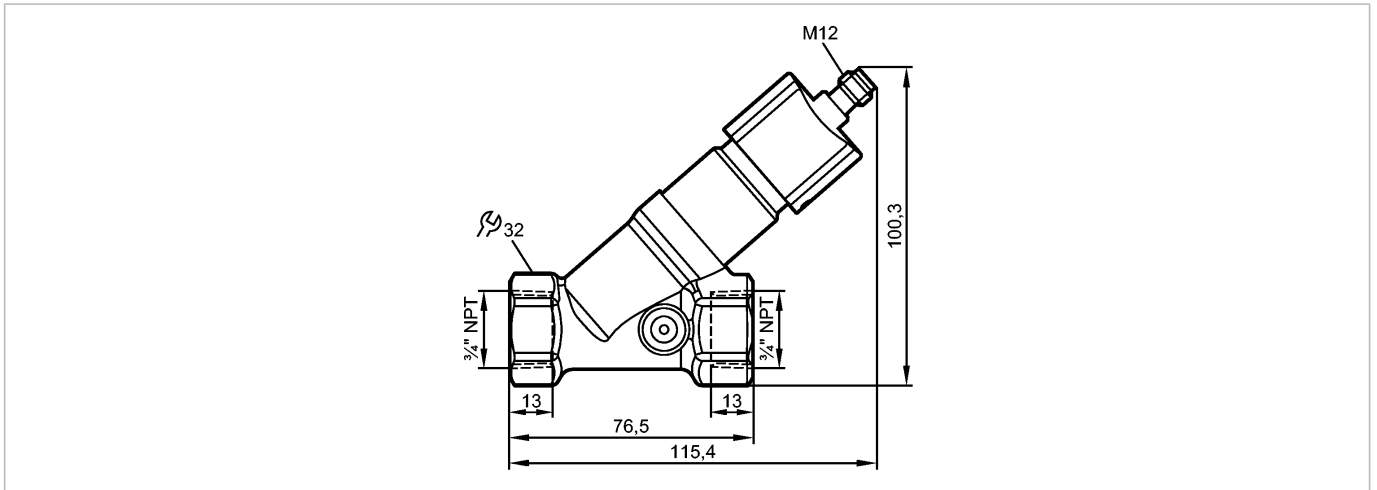


# SBN433

SBN34HF010KG/US



Flow sensors



### Product characteristics

Flow transmitter

with non-return valve

Process connection: 3/4" NPT

Analog output

Measuring range: 0.2...6 gpm

### Application

Application

liquids (water, glycol solutions, oils, coolants)

Pressure rating

[bar]

40

Medium temperature

[°C]

-10...100

### Electrical data

Electrical design

DC

Operating voltage

[V]

18...32 DC; to SELV/PELV

Current consumption

[mA]

< 35

Protection class

III

Reverse polarity protection

yes

### Outputs

Output function

analog

Short-circuit protection

yes

Overload protection

yes

Analog output

4...20 mA

Max. load

[Ω]

500

### Measuring / setting range

Measuring range

[gpm]

0.2...6

### Accuracy / deviations

Repeatability

[% of the final value]

1

Accuracy

[% of the final value]

± 5



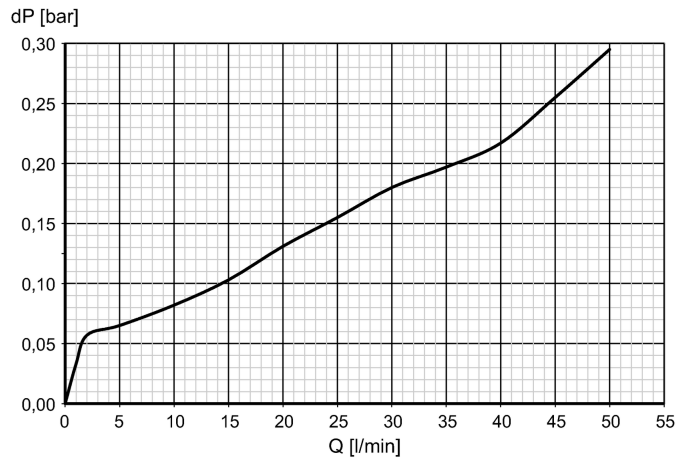
# SBN433

SBN34HF010KG/US



Flow sensors

Pressure loss (dP) / flow rate (Q)



### Reaction times

Response time	[s]	< 0.01
---------------	-----	--------

### Environment

Ambient temperature	[°C]	0...60
Storage temperature	[°C]	-15...80
Protection		IP 65 / IP 67

### Tests / approvals

EMC		DIN EN 61000-6-2 DIN EN 61000-6-3
Shock resistance		DIN EN 60068-2-27      20 g (11 ms)
Vibration resistance		DIN EN 60068-2-6      5 g (10...2000 Hz)

### Mechanical data

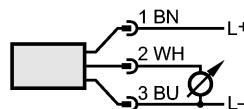
Process connection		3/4" NPT
Materials (wetted parts)		stainless steel 316 / 1.4401; brass; brass chemically nickel-plated; PP; PPS; O-ring; FKM
Housing materials		brass chemically nickel-plated; PP; stainless steel 316L / 1.4404; aluminum anodized; PA
Switching cycles min.		10 million
Weight	[kg]	0.476

### Electrical connection

Connection		M12 connector
------------	--	---------------

### Wiring

Core colors  
 BN brown  
 BU blue  
 WH white



Colours to DIN EN 60947-5-2

### Remarks

Remarks		Use of 200 micron filtration is recommended. All data refer to water (20 °C).
---------	--	--

Pack quantity	[piece]	1
---------------	---------	---