

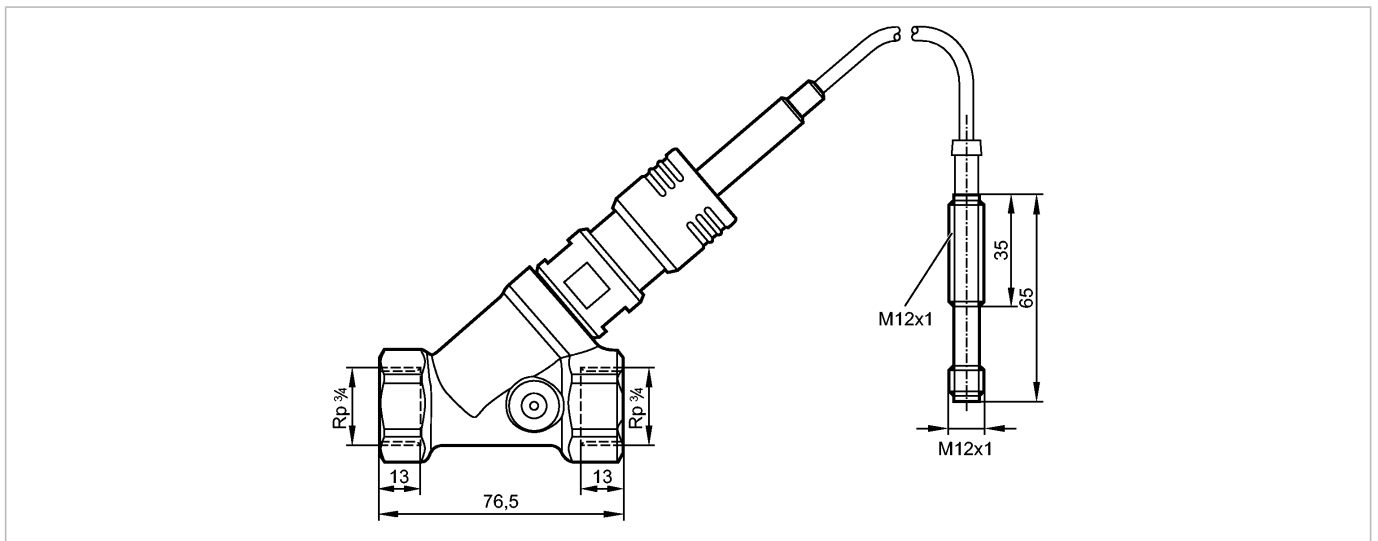


SBT633

SBT34XKX10KG/O/US



Flow sensors



CE

Product characteristics

Flow transmitter

with non-return valve

Process connection: Rp 3/4

Analog output

Measuring range: 0.3...25 l/min

Application

Application

liquids (water, glycol solutions)

Pressure rating

[bar]

15; at maximum medium temperature; 25 bar at temperatures up to 85 °C

Medium temperature

[°C]

10...180

Electrical data

Electrical design

DC

Operating voltage

[V]

24 DC (-15% / +10%); to SELV/PELV

Current consumption

[mA]

< 30

Protection class

III

Reverse polarity protection

yes

Outputs

Output function

analog

Short-circuit protection

yes

Overload protection

yes

Analog output

4...20 mA

Max. load

[Ω]

500

Measuring / setting range

Measuring range

[l/min]

0.3...25

Accuracy / deviations

Repeatability

[% of the final value]

1

Accuracy

[% of the final value]

± 5



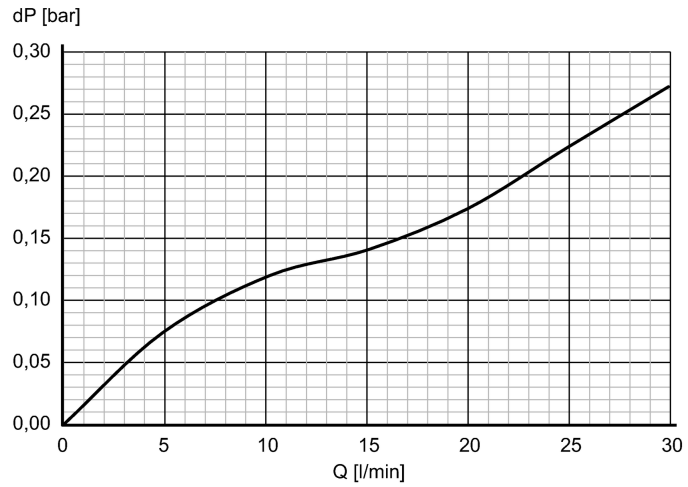
SBT633

SBT34XKX10KG/O/US



Flow sensors

Pressure loss (dP) / flow rate (Q)



Reaction times

Response time	[s]	< 0.01
---------------	-----	--------

Environment

Ambient temperature	[°C]	0...60
Storage temperature	[°C]	-15...80
Protection		IP 65 / IP 67

Tests / approvals

EMC		DIN EN 61000-6-2 DIN EN 61000-6-3
Shock resistance		DIN EN 60068-2-27 20 g (11 ms)
Vibration resistance		DIN EN 60068-2-6 5 g (10...2000 Hz)
MTTF	[Years]	1380

Mechanical data

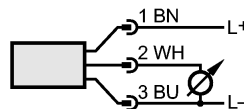
Process connection		Rp 3/4
Materials (wetted parts)		stainless steel 316 / 1.4401; brass; brass chemically nickel-plated; PPS; O-ring: FKM
Housing materials		brass chemically nickel-plated; PPS; copper alloy; aluminum anodized; TPE-E; silicone; PA
Switching cycles min.		10 million
Weight	[kg]	0.563

Electrical connection

Connection		silicone cable / 0.3 m; with M12 connector
------------	--	--

Wiring

Core colors
 BN brown
 BU blue
 WH white



Colours to DIN EN 60947-5-2

Remarks

Remarks		Use of 200 micron filtration is recommended. All data refer to water (20 °C).
---------	--	--



SBT633

SBT34XKX10KG/O/US



Flow sensors

Pack quantity [piece] 1

ifm efector, inc. • 1100 Atwater Drive • Malvern • PA 19355 — We reserve the right to make technical alterations without prior notice. — US — SBT633 — 05.05.2015