

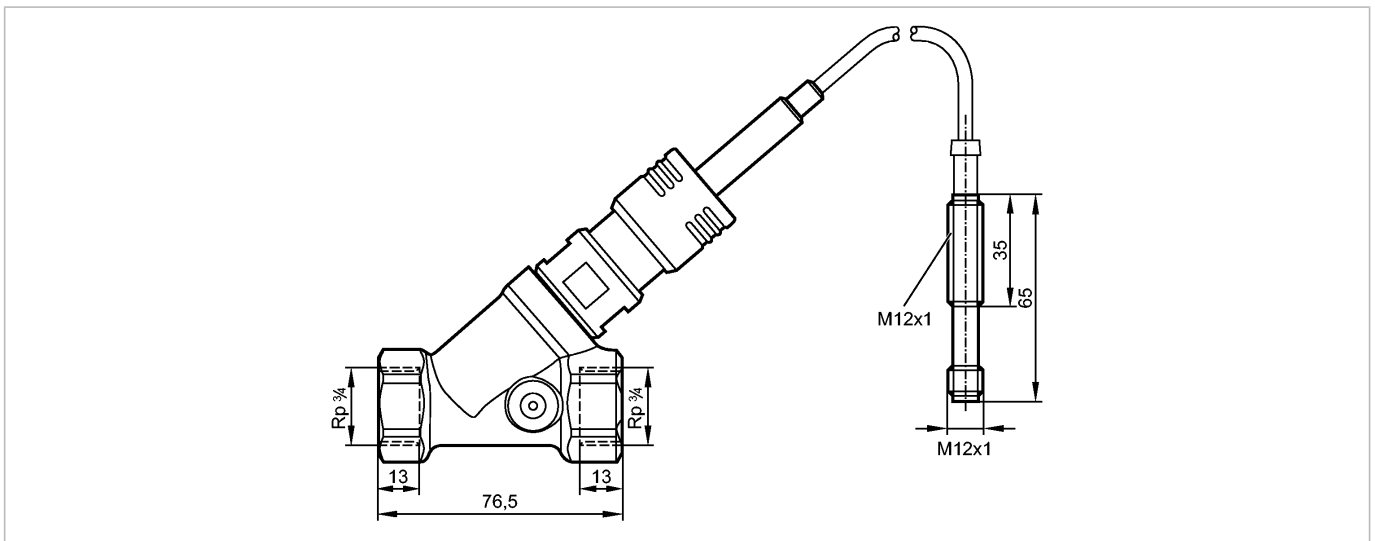


# SBT634

SBT34XKX10KG/O/US



Flow sensors



## Product characteristics

Flow transmitter

with non-return valve

Process connection: Rp 3/4

Analog output

Measuring range: 0.3...50 l/min

## Application

Application	liquids (water, glycol solutions)
Pressure rating [bar]	15; at maximum medium temperature; 25 bar at temperatures up to 85 °C
Medium temperature [°C]	10...180

## Electrical data

Electrical design	DC
Operating voltage [V]	24 DC (-15% / +10%); to SELV/PELV
Current consumption [mA]	< 30
Protection class	III
Reverse polarity protection	yes

## Outputs

Output function	analog
Short-circuit protection	yes
Overload protection	yes
Analog output	4...20 mA
Max. load [Ω]	500

## Measuring / setting range

Measuring range [l/min]	0.3...50
-------------------------	----------

## Accuracy / deviations

Repeatability [% of the final value]	1
Accuracy [% of the final value]	± 5



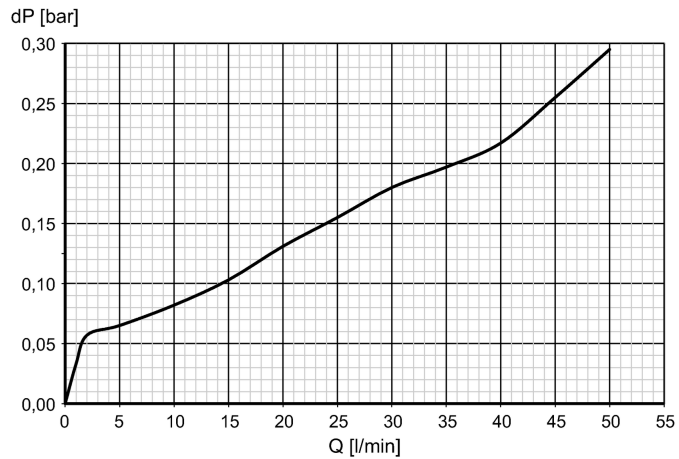
# SBT634

SBT34XKX10KG/O/US



Flow sensors

Pressure loss (dP) / flow rate (Q)



### Reaction times

Response time	[s]	< 0.01
---------------	-----	--------

### Environment

Ambient temperature	[°C]	0...60
Storage temperature	[°C]	-15...80
Protection		IP 65 / IP 67

### Tests / approvals

EMC		DIN EN 61000-6-2 DIN EN 61000-6-3
Shock resistance		DIN EN 60068-2-27      20 g (11 ms)
Vibration resistance		DIN EN 60068-2-6      5 g (10...2000 Hz)

### Mechanical data

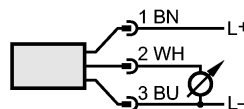
Process connection		Rp 3/4
Materials (wetted parts)		stainless steel 316 / 1.4401; brass; brass chemically nickel-plated; PPS; O-ring: FKM
Housing materials		brass chemically nickel-plated; PPS; copper alloy; aluminum anodized; TPE-E; silicone; PA
Switching cycles min.		10 million
Weight	[kg]	0.615

### Electrical connection

Connection		silicone cable / 0.3 m; with M12 connector
------------	--	--

### Wiring

Core colors  
 BN brown  
 BU blue  
 WH white



Colours to DIN EN 60947-5-2

### Remarks

Remarks		Use of 200 micron filtration is recommended. All data refer to water (20 °C).
---------	--	--

Pack quantity	[piece]	1
---------------	---------	---