

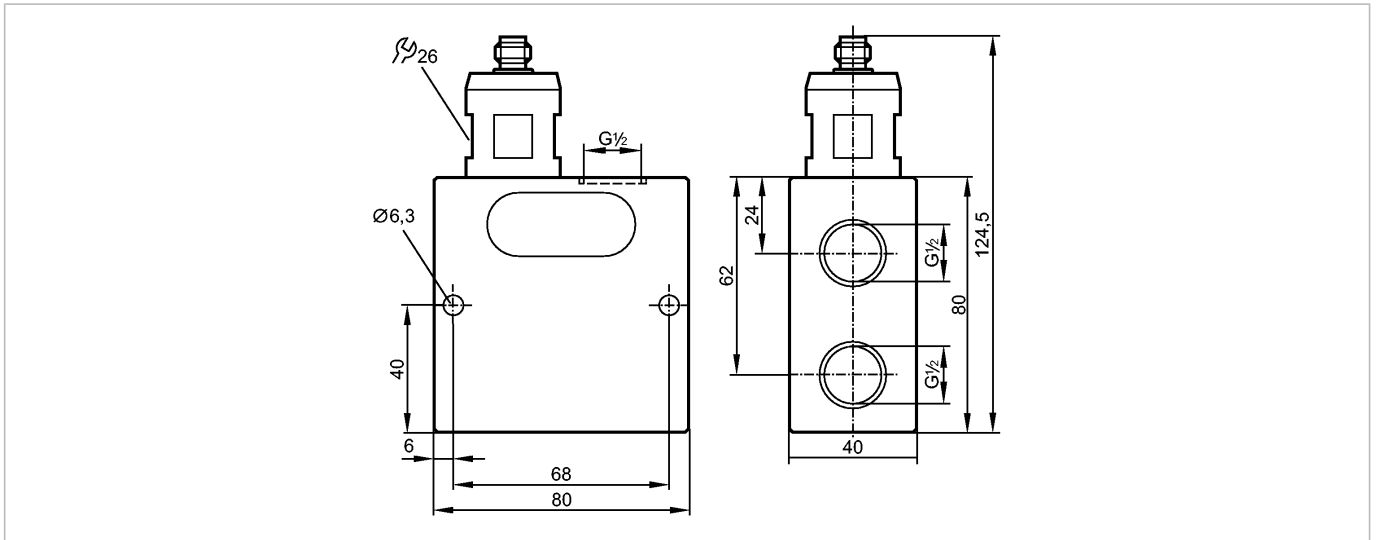


SBU623

SBU12DI040KG/US



Flow sensors



Product characteristics

Flow transmitter

with non-return valve

Process connection: G 1/2

Analog output

Measuring range: 0.3...25 l/min

Application

Application	machine tools, drill with internal cooling
Pressure rating [bar]	200
Medium temperature [°C]	0...60

Electrical data

Electrical design	DC
Operating voltage [V]	24 DC (-15% / +10%); to SELV/PELV
Current consumption [mA]	10
Protection class	III
Reverse polarity protection	yes

Outputs

Output function	analog
Short-circuit protection	yes
Overload protection	yes
Analog output	0.5...10 V
Min. load [Ω]	10000

Measuring / setting range

Measuring range [l/min]	0.3...25
Flow range [l/min]	75

Accuracy / deviations

Repeatability [% of the final value]	1
Accuracy [% of the final value]	± 5

Reaction times

Response time [s]	< 0.01
-------------------	--------

Environment



SBU623

SBU12DI040KG/US



Flow sensors

Ambient temperature	[°C]	0...60
Storage temperature	[°C]	-15...80
Protection		IP 65 / IP 67

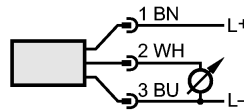
Tests / approvals		
EMC		DIN EN 61000-6-2 DIN EN 61000-6-3
Shock resistance		DIN EN 60068-2-27 20 g (11 ms)
Vibration resistance		DIN EN 60068-2-6 5 g (10...2000 Hz)
MTTF	[Years]	3004

Mechanical data		
Process connection		G ½
Materials (wetted parts)		stainless steel 316 / 1.4401; brass; aluminum anodized; PU (polyurethane); O-ring: FKM
Housing materials		aluminum anodized; PA
Switching cycles min.		10 million
Weight	[kg]	0.742

Electrical connection	
Connection	M12 connector

Wiring

Core colors
 BN brown
 BU blue
 WH white



Colours to DIN EN 60947-5-2

Accessories	
Accessories (included)	sealing plug

Remarks	
Remarks	<p>Temperature changes affect the specified standard settings for coolants.</p> <p>For oils, the settings are influenced by temperature and viscosity.</p> <p>Use of 200 micron filtration is recommended.</p> <p>All indications apply to coolants (20 °C)</p>

Pack quantity	[piece]	1
---------------	---------	---