

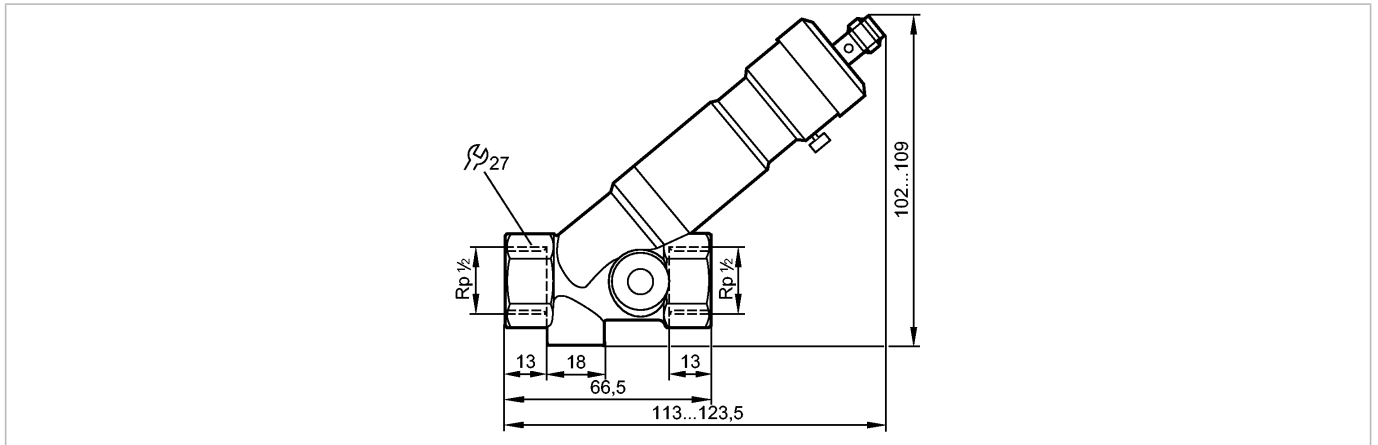


SBY323

SBY12BF0BPKG/US



Flow sensors



Product characteristics

Flow monitor

with non-return valve

Process connection: Rp 1/2

Switch point adjustable

Measuring range: < 20 l/min

Application

Application liquids (water, glycol solutions, oils)

Pressure rating [bar] 80

Medium temperature [°C] 0...85

Electrical data

Electrical design DC PNP

Operating voltage [V] 10...30 DC

Current consumption [mA] < 15

Protection class III

Reverse polarity protection yes

Outputs

Output function normally open

Current rating [mA] 100

Voltage drop [V] < 2.5

Short-circuit protection yes

Overload protection yes

Measuring / setting range

Measuring range [l/min] < 20

Flow range [l/min] < 100

Set point, SP [l/min] 2...20 *)

Accuracy / deviations

Hysteresis [l/min] 0.3...4

Repeatability [l/min] 0.15

Accuracy [% of the final value] ± 5



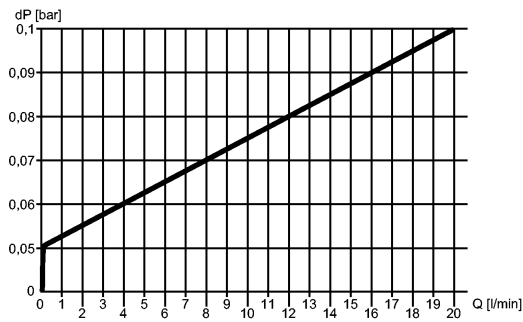
SBY323

SBY12BF0BPKG/US



Flow sensors

Pressure loss (dP) / flow rate (Q)



Reaction times

Response time [s] < 0.01

Environment

Ambient temperature [°C] 0...60

Protection IP 67

Tests / approvals

MTTF [Years] 15.78

Mechanical data

Process connection Rp 1/2

Materials (wetted parts) stainless steel (304S15); brass chemically nickel-plated; PP; O-ring: FPM (Viton)

Housing materials brass chemically nickel-plated; aluminum anodized; PP

Switching cycles min. 10 million

Weight [kg] 0.449

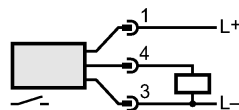
Displays / operating elements

Output status indication LED yellow (4 x 90°)

Electrical connection

Connection M12 connector

Wiring



Remarks

Remarks *) One complete turn corresponds to approx. 2.5 l/min
 Attention: Do not turn the setting screw beyond the maximum value of the setting range.

Pack quantity [piece] 1