

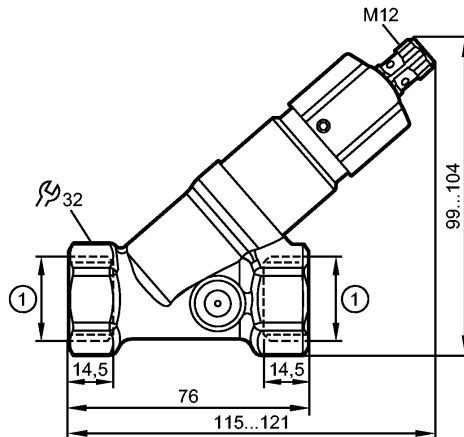


# SBY334

SBY34BF0BPKG/US



Flow sensors



1: Rp 3/4



## Product characteristics

Flow monitor

with non-return valve

Process connection: Rp 3/4

Setting range: 2...50 l/min

## Application

Application: liquids (water, glycol solutions, oils, coolants)

Pressure rating [bar]: 40

Medium temperature [°C]: 0...85

## Electrical data

Electrical design: DC PNP

Operating voltage [V]: 10...30 DC; to SELV/PELV

Current consumption [mA]: < 15

Protection class: III

Reverse polarity protection: yes

## Outputs

Output function: normally open

Current rating [mA]: 100

Voltage drop [V]: < 2.5

Short-circuit protection: yes

Overload protection: yes

## Measuring / setting range

Setting range [l/min]: 2...50

## Accuracy / deviations

Hysteresis [l/min]: 1...3

Repeatability [% of the final value]: 1

Accuracy [% of the final value]: ± 5



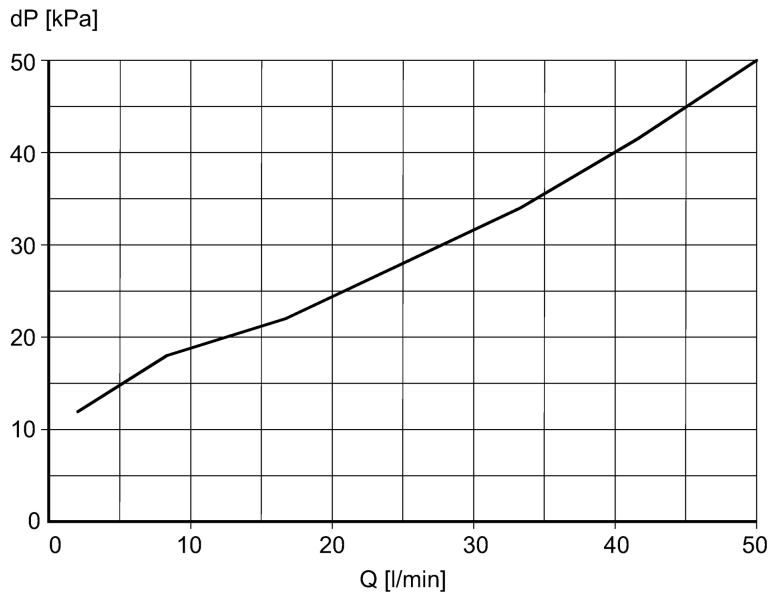
# SBY334

SBY34BF0BPKG/US



Flow sensors

Pressure loss (dP) / flow rate (Q)



### Reaction times

Response time [s] < 0.01

### Environment

Ambient temperature [°C] 0...60

Storage temperature [°C] -15...80

Protection IP 65 / IP 67

### Tests / approvals

EMC DIN EN 61000-6-2  
DIN EN 61000-6-3

Shock resistance DIN EN 60068-2-27 20 g (11 ms)

Vibration resistance DIN EN 60068-2-6 5 g (10...2000 Hz)

MTTF [Years] 15.78

### Mechanical data

Process connection Rp 3/4

Materials (wetted parts) stainless steel 301 / 1.4310; stainless steel (304S15); PBT; brass chemically nickel-plated; PP; PPS; Polyolefin; O-ring: FKM

Housing materials brass chemically nickel-plated; PP; aluminum anodized; PA

Switching cycles min. 10 million

Weight [kg] 0.491

### Displays / operating elements

Output status indication LED yellow (4 x 90°)

### Electrical connection

Connection M12 connector

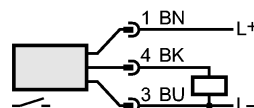
### Wiring

Core colors

BK black

BN brown

BU blue





# SBY334

SBY34BF0BPKG/US



Flow sensors

Colours to DIN EN 60947-5-2

## Accessories

Accessories (included)	Allen key
------------------------	-----------

## Remarks

Remarks	Attention: Do not turn the cap beyond the maximum value of the setting range. All data refer to water (20 °C).
---------	---

Pack quantity	[piece]	1
---------------	---------	---