

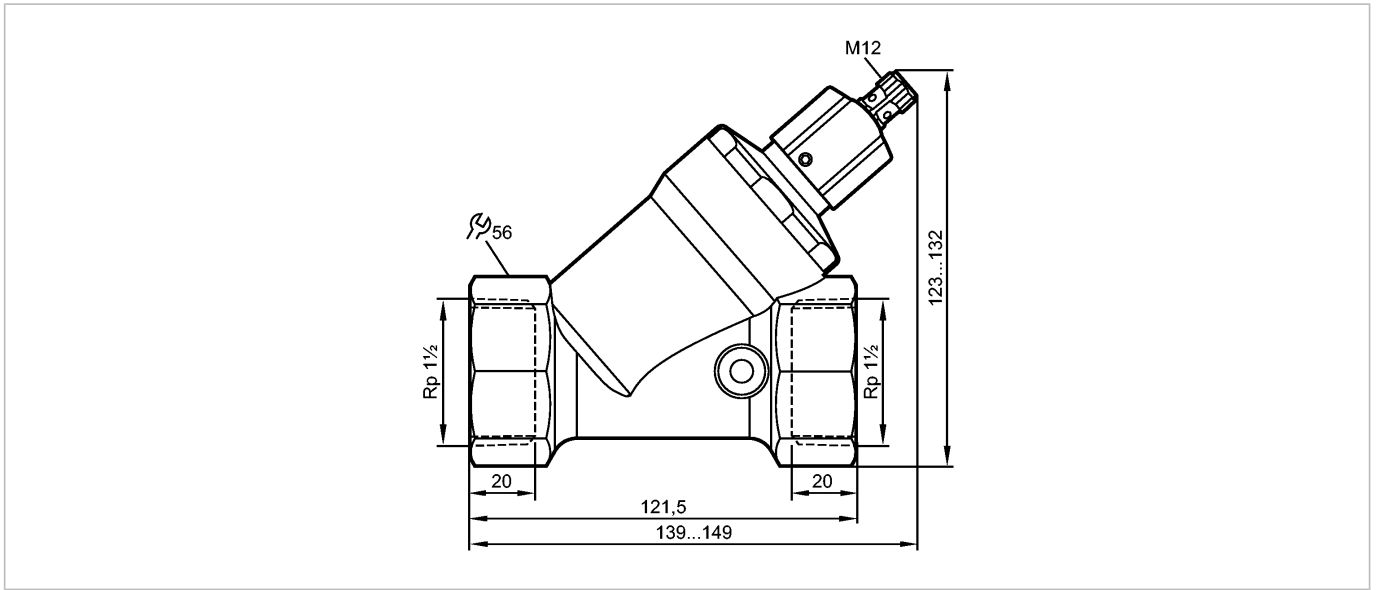


SBY357

SBY32BF0BPKG/US



Flow sensors



Product characteristics

Flow monitor

with non-return valve

Process connection: Rp 1½

Setting range: 20...200 l/min

Application

Application: liquids (water, glycol solutions, oils, coolants)

Pressure rating [bar]: 25

Medium temperature [°C]: 0...85

Electrical data

Electrical design: DC PNP

Operating voltage [V]: 10...30 DC; to SELV/PELV

Current consumption [mA]: < 15

Protection class: III

Reverse polarity protection: yes

Outputs

Output function: normally open

Current rating [mA]: 100

Voltage drop [V]: < 2.5

Short-circuit protection: yes

Overload protection: yes

Measuring / setting range

Setting range [l/min]: 20...200

Accuracy / deviations

Hysteresis [l/min]: 5...10

Repeatability [% of the final value]: 1

Accuracy [% of the final value]: ± 5



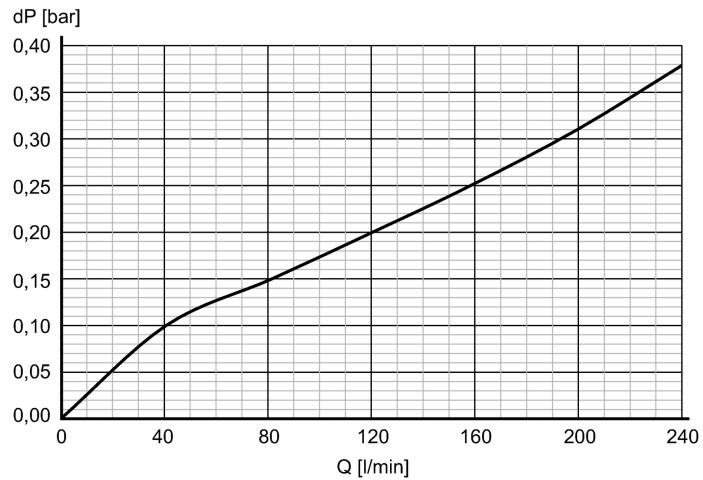
SBY357

SBY32BF0BPKG/US



Flow sensors

Pressure loss (dP) / flow rate (Q)



Reaction times

Response time	[s]	< 0.01
---------------	-----	--------

Environment

Ambient temperature	[°C]	0...60
Storage temperature	[°C]	-15...80
Protection		IP 65 / IP 67

Tests / approvals

EMC		DIN EN 61000-6-2 DIN EN 61000-6-3
Shock resistance		DIN EN 60068-2-27 20 g (11 ms)
Vibration resistance		DIN EN 60068-2-6 5 g (10...2000 Hz)
MTTF	[Years]	15.78

Mechanical data

Process connection		Rp 1½
Materials (wetted parts)		stainless steel 301 / 1.4310; stainless steel (304S15); PBT; brass chemically nickel-plated; PP; PPS; Polyolefin; O-ring: FKM
Housing materials		brass chemically nickel-plated; PP; aluminum anodized; PA
Switching cycles min.		10 million
Weight	[kg]	1.349

Displays / operating elements

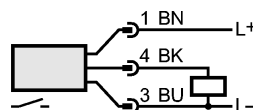
Output status indication	LED	yellow (4 x 90°)
--------------------------	-----	------------------

Electrical connection

Connection		M12 connector
------------	--	---------------

Wiring

Core colors
 BK black
 BN brown
 BU blue



Colours to DIN EN 60947-5-2

Accessories

Accessories (included)		Allen key
------------------------	--	-----------



SBY357

SBY32BF0BPKG/US



Flow sensors

Remarks

Remarks	Attention: Do not turn the cap beyond the maximum value of the setting range. All data refer to water (20 °C).
---------	-------------------------------------------------------------------------------------------------------------------

Pack quantity	[piece]	1
---------------	---------	---