

**Pump**

Manufacturer	SUNFAB
Pump model	SAP012 - 108

**Electric Motor**

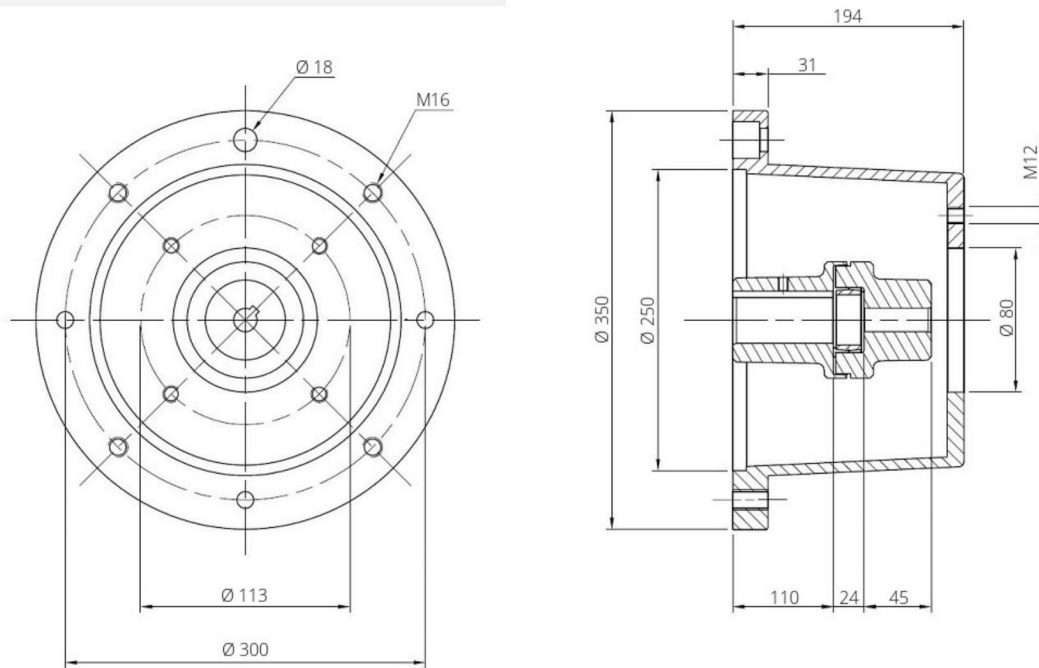
N. Poles	4
Power Kw	11
Power Hp	15
Size	160M

**Electric Motor Data**

L	110
D	42
Ch	12
Fig	350

**Pump data**

L1	55
Thickness	13
d1	0
Ch1	0
t2	0
C	80
In	113
Nr	4
F	M12



Standard arrangement with black spider - NBR 87 Shore A

P/n Bell-Housing kit: **NOT AVAILABLE**  
 P/n kit coupling : **AKGMM05Z8411**  
 P/n Complete kit : **AKMM05Z8411**

Max torque (Nm): **620**  
 Temperature °C: **-20 ÷ 90**

Ordering code Bell-Housing  
**LMC350AFSU104**

Half coupling code  
**SGEG40M07110**  
**EGE 4**  
**SGEG40PE01045**

Ordering codes

Spline shaft:  
 DIN 5462 / ISO 14  
 Mounting flange:  
 ISO 7653-D

