

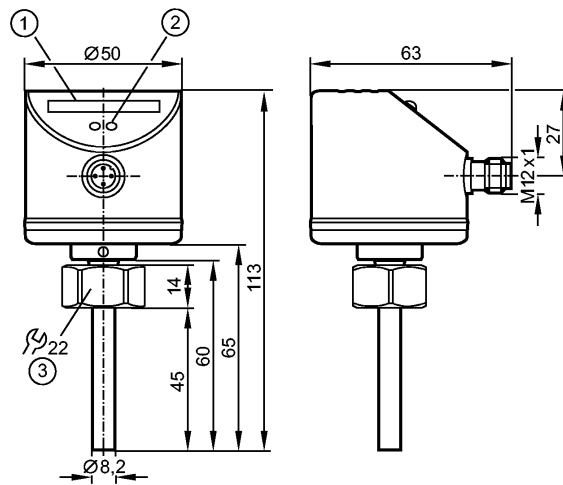


SI0521

SID10ADBFPKG/US-100



Flow sensors



- 1: LED display
- 2: setting pushbutton
- 3: tightening torque 25 Nm



Product characteristics

Flow monitor

Compact type for adapter

Process connection: internal thread M18 x 1.5 for adapter

Probe length: 45 mm

2 switching outputs

Setting range: 3...300 cm/s

Application

| | |
|-------------------------|----------|
| Application | liquids |
| Bursting pressure [MPa] | 30 |
| Nominal pressure [MPa] | 7.5 |
| Medium temperature [°C] | -15...70 |

Electrical data

| | |
|-----------------------------|---------------------|
| Electrical design | DC PNP |
| Operating voltage [V] | 24 DC; (18...32 DC) |
| Current consumption [mA] | < 60 |
| Protection class | III |
| Reverse polarity protection | yes |

Outputs

| | |
|--------------------------|---|
| Output function | 2 x normally open / closed programmable |
| Current rating [mA] | 2 x 250 |
| Voltage drop [V] | < 2.5 |
| Short-circuit protection | yes (non-latching) |
| Overload protection | yes |

Measuring / setting range

| | |
|-----------------------------|---------|
| Setting range [cm/s] | 3...300 |
| Greatest sensitivity [cm/s] | 3...100 |

Accuracy / deviations

| | |
|------------------------------|---------|
| Switch point accuracy [cm/s] | ± 10 *) |
|------------------------------|---------|



SI0521

SID10ADBFPKG/US-100



Flow sensors

| | | |
|-------------------------------------|--------------|----------|
| Hysteresis | [cm/s] | 2...5 *) |
| Repeatability | [% of Sr] | 1...5 *) |
| Temperature drift | [cm/s x 1/K] | 0.1 **) |
| Max. temperature gradient of medium | [K/min] | 300 |

Reaction times

| | | |
|---------------------|-----|--------|
| Power-on delay time | [s] | 10 |
| Response time | [s] | 1...10 |

Software / programming

| | |
|--------------------------------|-------------|
| Adjustment of the switch point | pushbuttons |
|--------------------------------|-------------|

Environment

| | | |
|---------------------|------|-----------|
| Ambient temperature | [°C] | -25...80 |
| Storage temperature | [°C] | -25...100 |
| Protection | | IP 67 |

Tests / approvals

| | |
|----------------------|---|
| EMC | DIN EN 61000-4-2 ESD: 6 kV CD / 8 kV AD DIN EN 61000-4-3 HF radiated: 10 V/m DIN EN 61000-4-4 Burst: 2 kV DIN EN 61000-4-5 Surge: 0.5 kV / 1 kV DIN EN 61000-4-6 HF conducted: 10 V |
| Shock resistance | DIN EN 60068-2-27 50 g (11 ms) |
| Vibration resistance | DIN EN 60068-2-6 1.6 mm (2...25 Hz) / 20 g (25...2000 Hz) |
| MTTF | [Years] 267 |

Mechanical data

| | |
|--------------------------|--|
| Process connection | internal thread M18 x 1.5 for adapter |
| Materials (wetted parts) | stainless steel 316L / 1.4404; O-ring: FKM 8 x 1.5 gr 80° Shore A |
| Housing materials | stainless steel 316L / 1.4404; V2A (1.4310); PC (polycarbonate); PBT-GF 20; EPDM/X |
| Probe length L | [mm] 45 |
| Weight | [kg] 0.21 |

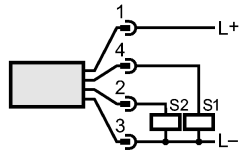
Displays / operating elements

| | | |
|------------------|-----|-----------------------|
| Function display | LED | 10 LEDs, three-colour |
|------------------|-----|-----------------------|

Electrical connection

| | |
|------------|---------------|
| Connection | M12 connector |
|------------|---------------|

Wiring



Remarks

| | |
|---------|--|
| Remarks | *) for water; 5...100 cm/s; 25°C (factory setting) **) for water; 5...100 cm/s; 15...70°C |
|---------|--|

| | | |
|---------------|---------|---|
| Pack quantity | [piece] | 1 |
|---------------|---------|---|



SI0521

SID10ADBFPKG/US-100



Flow sensors