

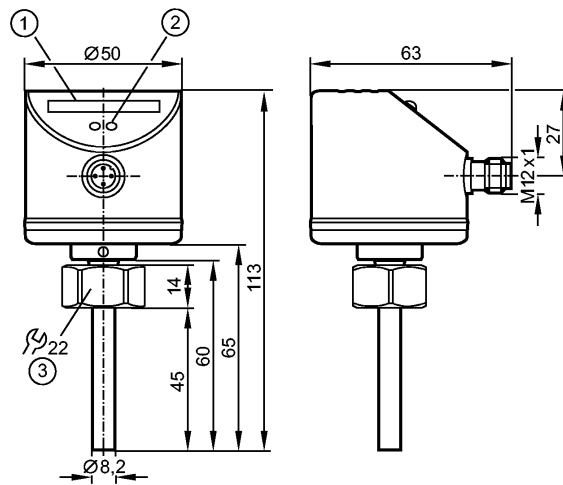


SI0553

SID10ADHFPKG/US-100



Flow sensors



- 1: LED display
- 2: setting pushbutton
- 3: tightening torque 25 Nm



Product characteristics

| |
|---|
| Flow monitor |
| Compact type for adapter |
| Process connection: internal thread M18 x 1.5 for adapter (Hastelloy) |
| Probe length: 45 mm |
| Pressure rating: 300 bar |
| Setting range: 3...300 cm/s (liquids) |

Application

| | |
|-------------------------|-------------------|
| Application | liquids and gases |
| Pressure rating [bar] | 300 |
| Medium temperature [°C] | -25...80 |

Electrical data

| | |
|-----------------------------|------------|
| Electrical design | DC PNP |
| Operating voltage [V] | 19...36 DC |
| Current consumption [mA] | < 60 |
| Protection class | III |
| Reverse polarity protection | yes |

Outputs

| | |
|--------------------------|-------------------------------------|
| Output function | normally open / closed programmable |
| Current rating [mA] | 250 |
| Voltage drop [V] | < 2.5 |
| Short-circuit protection | yes (non-latching) |
| Overload protection | yes |

Measuring / setting range

| | |
|-----------------------------|------------|
| Liquids | |
| Setting range [cm/s] | 3...300 |
| Greatest sensitivity [cm/s] | 3...100 |
| Gases | |
| Setting range [cm/s] | 200...3000 |



SI0553

SID10ADHFPKG/US-100



Flow sensors

| | | |
|----------------------|--------|-----------|
| Greatest sensitivity | [cm/s] | 200...800 |
|----------------------|--------|-----------|

Accuracy / deviations

| | | |
|-------------------------------------|--------------|---------------|
| Switch point accuracy | [cm/s] | ± 2...± 10 *) |
| Hysteresis | [cm/s] | 2...5 *) |
| Repeatability | [cm/s] | 1...5 *) |
| Temperature drift | [cm/s x 1/K] | 0.1 **) |
| Max. temperature gradient of medium | [K/min] | 300 |

Reaction times

| | | |
|---------------------|-----|---------------------------|
| Power-on delay time | [s] | 10 |
| Response time | [s] | 1...2 ***) / 1...10 ****) |

Software / programming

| | |
|--------------------------------|-------------|
| Adjustment of the switch point | pushbuttons |
|--------------------------------|-------------|

Environment

| | | |
|---------------------|------|-----------|
| Ambient temperature | [°C] | -25...80 |
| Storage temperature | [°C] | -25...100 |
| Protection | | IP 67 |

Tests / approvals

| | | |
|----------------------|----------------------------|---------------------|
| EMC | EN 61000-4-2 ESD: | 4 kV CD / 8 kV AD |
| | EN 61000-4-3 HF radiated: | 10 V/m |
| | EN 61000-4-4 Burst: | 2 kV |
| | EN 61000-4-6 HF conducted: | 10 V |
| Shock resistance | DIN IEC 68-2-27: | 50 g (11 ms) |
| Vibration resistance | DIN EN 60068-2-6 | 20 g (55...2000 Hz) |
| MTTF | [Years] | 298 |

Mechanical data

| | | |
|--------------------------|--|-------|
| Process connection | internal thread M18 x 1.5 for adapter (Hastelloy) | |
| Materials (wetted parts) | Hastelloy C-4 (2.4610); O-ring: FKM 8 x 1.5 gr 80° Shore A | |
| Housing materials | stainless steel 316L / 1.4404; V2A / 301 / 1.4310; PC (polycarbonate); PBT-GF 20; EPDM/X | |
| Probe length L | [mm] | 45 |
| Weight | [kg] | 0.236 |

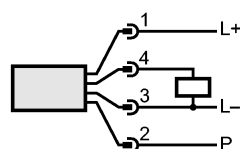
Displays / operating elements

| | | |
|------------------|-----|-----------------------|
| Function display | LED | 10 LEDs, three-colour |
|------------------|-----|-----------------------|

Electrical connection

| | |
|------------|---------------|
| Connection | M12 connector |
|------------|---------------|

Wiring



P = programming wire (for remote adjustment)

Remarks

| | |
|---------|--|
| Remarks | *) for water; 5...100 cm/s; 25°C (factory setting) |
|---------|--|



SI0553

SID10ADHFPKG/US-100



Flow sensors

**) for water; 5...100 cm/s; 10...70°C
***) for liquids and temperature gradient 1 K/min
****) for gases

| | | |
|---------------|---------|---|
| Pack quantity | [piece] | 1 |
|---------------|---------|---|