

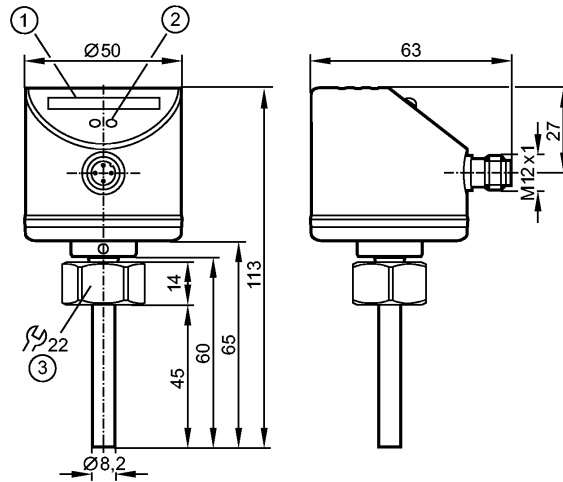


SI0556

SID10ADBFPKG/US



Flow sensors



- 1: LED display
- 2: setting pushbutton
- 3: tightening torque 25 Nm



Product characteristics

Flow monitor

Compact type for adapter

Process connection: internal thread M18 x 1.5 for adapter

Probe length: 45 mm

2 switching outputs

S1: flow and temperature monitoring

S2: temperature monitoring

Setting range: 3...300 cm/s (liquids)

Application

Application liquids and gases

Pressure rating [bar] 300

Medium temperature [°C] -25...80

Electrical data

Electrical design DC PNP

Operating voltage [V] 19...36 DC

Current consumption [mA] < 60

Protection class III

Reverse polarity protection yes

Outputs

Output function 2 x normally open / closed programmable

Current rating [mA] 2 x 250

Voltage drop [V] < 2.5

Short-circuit protection yes (non-latching)

Overload protection yes

Measuring / setting range

Liquids

Setting range [cm/s] 3...300

Greatest sensitivity [cm/s] 3...100



SI0556

SID10ADBFPKG/US



Flow sensors

Gases

Setting range	[cm/s]	200...3000
Greatest sensitivity	[cm/s]	200...800
Temperature monitoring		
Setting range	[°C]	2...80

Accuracy / deviations

Switch point accuracy	[cm/s]	$\pm 2... \pm 10$ *)
Hysteresis	[cm/s]	2...5 *)
Repeatability	[cm/s]	1...5 *)
Temperature drift	[cm/s x 1/K]	0.1 **)
Max. temperature gradient of medium	[K/min]	300
Temperature monitoring		
Switch point accuracy	[K]	± 3 (v > 5cm/s) ***)
Hysteresis	[K]	2
Repeatability	[K]	± 2
Response time temperature (typ.)	[s]	5
Resolution	[K]	1

Reaction times

Power-on delay time	[s]	10
Response time	[s]	1...10

Software / programming

Adjustment of the switch point		pushbuttons
--------------------------------	--	-------------

Environment

Ambient temperature	[°C]	-25...80
Storage temperature	[°C]	-25...100
Protection		IP 67

Tests / approvals

EMC		EN 61000-4-2 ESD: 4 kV CD / 8 kV AD EN 61000-4-3 HF radiated: 10 V/m EN 61000-4-4 Burst: 2 kV EN 61000-4-6 HF conducted: 10 V
Shock resistance		DIN IEC 68-2-27: 50 g (11 ms)
Vibration resistance		DIN EN 60068-2-6 20 g (55...2000 Hz)
MTTF	[Years]	277

Mechanical data

Process connection		internal thread M18 x 1.5 for adapter
Materials (wetted parts)		stainless steel 316L / 1.4404; O-ring: FKM 8 x 1.5 gr 80° Shore A
Housing materials		stainless steel 316L / 1.4404; V2A / 301 / 1.4310; PC (polycarbonate); PBT-GF 20; EPDM/X
Probe length L	[mm]	45
Weight	[kg]	0.235

Displays / operating elements

Function display	LED	10 LEDs, three-colour
------------------	-----	-----------------------

Electrical connection

Connection		M12 connector
------------	--	---------------



SI0556

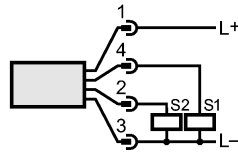
SID10ADBFPKG/US



Flow sensors

Wiring

S1: flow and temperature monitoring
S2: temperature monitoring



Remarks

Remarks

*) for water; 5...100 cm/s; 25°C (factory setting)
**) for water; 5...100 cm/s; 10...70°C
***) liquids

Pack quantity

[piece]

1