

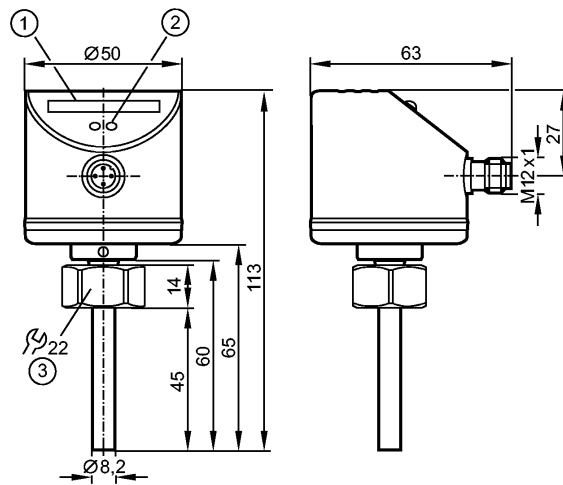


SI0557

SID10ADBFPKG/US-100



Flow sensors



- 1: LED display
- 2: setting pushbutton
- 3: tightening torque 25 Nm



Product characteristics

Flow monitor

Compact type for adapter

Process connection: internal thread M18 x 1.5 for adapter

Probe length: 45 mm

2 switching outputs

Setting range: 3...300 cm/s

Application

Application	liquids
Bursting pressure [MPa]	30
Nominal pressure [MPa]	7.5
Medium temperature [°C]	-15...70

Electrical data

Electrical design	DC PNP
Operating voltage [V]	24 DC; (18...32 DC)
Current consumption [mA]	< 60
Protection class	III
Reverse polarity protection	yes

Outputs

Output function	1 x normally open / 1 x normally closed programmable
Current rating [mA]	2 x 250
Voltage drop [V]	< 2.5
Short-circuit protection	yes (non-latching)
Overload protection	yes

Measuring / setting range

Setting range [cm/s]	3...300
Greatest sensitivity [cm/s]	3...100

Accuracy / deviations

Switch point accuracy [cm/s]	± 10 *)
------------------------------	---------



SI0557

SID10ADBFPKG/US-100



Flow sensors

Hysteresis	[cm/s]	2...5 *)
Repeatability	[% of Sr]	1...5 *)
Temperature drift	[cm/s x 1/K]	0.1 **)
Max. temperature gradient of medium	[K/min]	300

Reaction times

Power-on delay time	[s]	10
Response time	[s]	1...10

Software / programming

Adjustment of the switch point	pushbuttons
--------------------------------	-------------

Environment

Ambient temperature	[°C]	-25...80
Storage temperature	[°C]	-25...100
Protection		IP 67

Tests / approvals

EMC	DIN EN 61000-4-2 ESD: 6 kV CD / 8 kV AD DIN EN 61000-4-3 HF radiated: 10 V/m DIN EN 61000-4-4 Burst: 2 kV DIN EN 61000-4-5 Surge: 0.5 kV / 1 kV DIN EN 61000-4-6 HF conducted: 10 V
Shock resistance	DIN EN 60068-2-27 50 g (11 ms)
Vibration resistance	DIN EN 60068-2-6 1.6 mm (2...25 Hz) / 20 g (25...2000 Hz)
MTTF	[Years] 267

Mechanical data

Process connection	internal thread M18 x 1.5 for adapter
Materials (wetted parts)	stainless steel 316L / 1.4404; O-ring: FKM 8 x 1.5 gr 80° Shore A
Housing materials	stainless steel 316L / 1.4404; V2A (1.4310); PC (polycarbonate); PBT-GF 20; EPDM/X
Probe length L	[mm] 45
Weight	[kg] 0.212

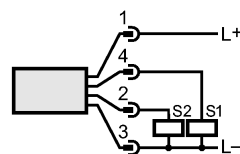
Displays / operating elements

Function display	LED	10 LEDs, three-colour
------------------	-----	-----------------------

Electrical connection

Connection	M12 connector
------------	---------------

Wiring



Remarks

Remarks	*) for water; 5...100 cm/s; 25°C (factory setting) **) for water; 5...100 cm/s; 15...70°C
---------	--

Pack quantity	[piece]	1
---------------	---------	---



SI0557

SID10ADBFPKG/US-100



Flow sensors