

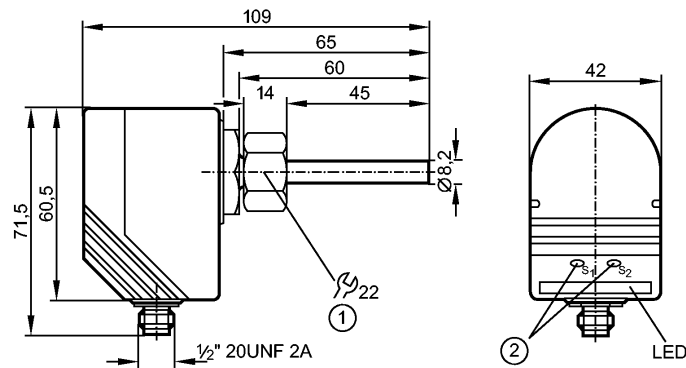


# SI1106

SID10ADTFKOW/LS-100-IRF



Flow sensors



- 1: internal thread M18 x 1.5
- 2: setting pushbuttons



## Product characteristics

Flow monitor
Compact type for adapter
Process connection: internal thread M18 x 1.5 for adapter (titanium)
Probe length: 45 mm
1 relay output
Setting range: 3...300 cm/s (liquids)

## Application

Application	liquids and gases, aggressive media
Pressure rating [bar]	300
Medium temperature [°C]	-25...80

## Electrical data

Electrical design	AC / relay
Operating voltage [V]	85...265 AC
Nominal voltage [V]	90...240 AC (45...65 Hz)
Voltage tolerance [%]	-5 / +10
Power consumption [VA]	< 3.5
Protection class	II
Reverse polarity protection	no

## Outputs

Output function	normally open / closed programmable
Contact rating	3 A (250 V AC / 30 V DC) <sup>1)</sup>
Short-circuit proof	no
Overload protection	no

## Measuring / setting range

Liquids		
Setting range [cm/s]		3...300
Greatest sensitivity [cm/s]		3...60
Gases		
Setting range [cm/s]		200...3000
Greatest sensitivity [cm/s]		200...800

## Accuracy / deviations



# SI1106

SID10ADTFKOW/LS-100-IRF



Flow sensors

Max. temperature gradient of medium	[K/min]	300
-------------------------------------	---------	-----

### Reaction times

Power-on delay time	[s]	15 **)
Response time	[s]	1...10

### Software / programming

Adjustment of the switch point	pushbuttons
--------------------------------	-------------

### Environment

Ambient temperature	[°C]	-25...80
Protection		IP 67

### Tests / approvals

Shock resistance	DIN IEC 68-2-27:	50 g (11 ms)
Vibration resistance	DIN EN 60068-2-6	20 g (55...2000 Hz)
MTTF	[Years]	224

### Mechanical data

Process connection	internal thread M18 x 1.5 for adapter (titanium)	
Materials (wetted parts)	titanium (3.7035); O-ring: FFPM (Kalrez) 8 x 1.5	
Housing materials	PBT-GF 20	
Probe length L	[mm]	45
Weight	[kg]	0.254

### Displays / operating elements

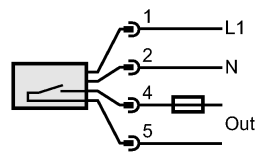
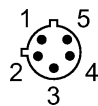
Function display	LED	10 LEDs, three-colour
------------------	-----	-----------------------

### Electrical connection

Connection	1/2" UNF-Connector
------------	--------------------

### Wiring

N.B: no protective insulation between relay circuit and supply voltage



Note: miniature fuse to IEC60127-2 sheet 1, ≤ 5 A (fast acting)

### Remarks

Remarks	<p>n.c. = not connected  <sup>1)</sup> number of switching cycles: 20 million mechanically  switching cycles with 3 A load: 100.000 electrically  relay type: contact closed at work  **) optically indicated  Recommendation: check the unit for reliable function after a short circuit.</p>
---------	--

Pack quantity	[piece]	1
---------------	---------	---