

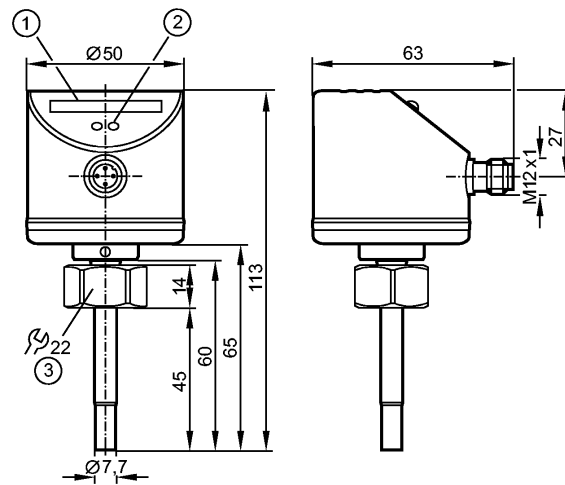


# SI5001

SID10ABBFNKG/US-100



Flow sensors



- 1: LED display
- 2: setting pushbutton
- 3: tightening torque 25 Nm



## Product characteristics

Flow monitor

Compact type for adapter

Process connection: internal thread M18 x 1.5 for adapter

Probe length: 45 mm

Setting range: 3...300 cm/s (liquids)

## Application

Application: liquids and gases

Pressure rating [bar]: 30

Medium temperature [°C]: -25...80

## Electrical data

Electrical design: DC NPN

Operating voltage [V]: 19...36 DC

Current consumption [mA]: < 60

Protection class: III

Reverse polarity protection: yes

## Outputs

Output function: normally open / closed programmable

Current rating [mA]: 250

Voltage drop [V]: < 2.5

Short-circuit protection: yes (non-latching)

Overload protection: yes

## Measuring / setting range

Liquids

Setting range [cm/s]: 3...300

Greatest sensitivity [cm/s]: 3...100

Gases

Setting range [cm/s]: 200...3000

Greatest sensitivity [cm/s]: 200...800



# SI5001

SID10ABBFNKG/US-100



Flow sensors

Accuracy / deviations	
Switch point accuracy	[cm/s] ± 2...± 10 *)
Hysteresis	[cm/s] 2...5 *)
Repeatability	[cm/s] 1...5 *)
Temperature drift	[cm/s x 1/K] 0.1 **)
Max. temperature gradient of medium	[K/min] 300
Reaction times	
Power-on delay time	[s] 10
Response time	[s] 1...10
Software / programming	
Adjustment of the switch point	pushbuttons
Environment	
Ambient temperature	[°C] -25...80
Storage temperature	[°C] -25...100
Protection	IP 67
Tests / approvals	
EMC	EN 61000-4-2 ESD: 4 kV CD / 8 kV AD EN 61000-4-3 HF radiated: 10 V/m EN 61000-4-4 Burst: 2 kV EN 61000-4-6 HF conducted: 10 V
Shock resistance	DIN IEC 68-2-27: 50 g (11 ms)
Vibration resistance	DIN EN 60068-2-6 20 g (55...2000 Hz)
MTTF	[Years] 271
Mechanical data	
Process connection	internal thread M18 x 1.5 for adapter
Materials (wetted parts)	stainless steel 316L / 1.4404; O-ring: FKM 8 x 1.5 gr 80° Shore A
Housing materials	stainless steel 316L / 1.4404; V2A / 301 / 1.4310; PC (polycarbonate); PBT-GF 20; EPDM/X
Probe length L	[mm] 45
Weight	[kg] 0.235
Displays / operating elements	
Function display	LED 10 LEDs, three-colour
Electrical connection	
Connection	M12 connector
<b>Wiring</b>	
Remarks	
Remarks	*) for water; 5...100 cm/s; 25°C (factory setting) **) for water; 5...100 cm/s; 10...70°C
Pack quantity	[piece] 1



# SI5001

SID10ABBFNKG/US-100



**Flow sensors**